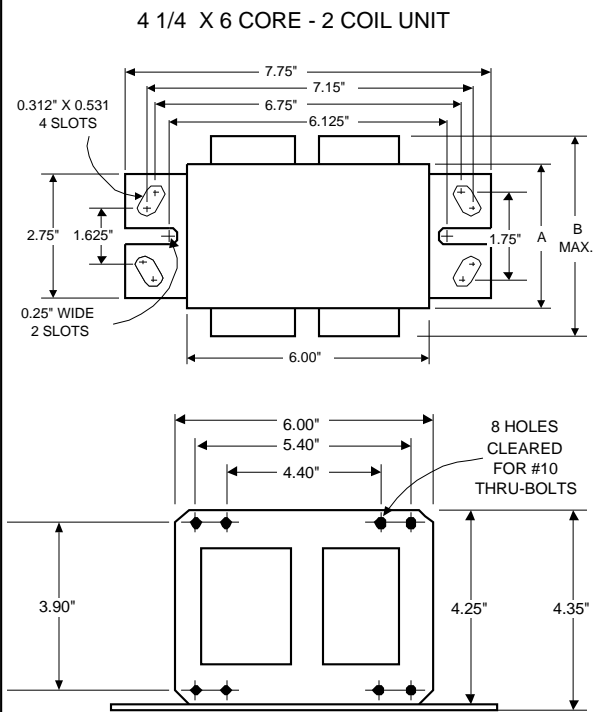




**Metal
Halide
Lamp Ballast**

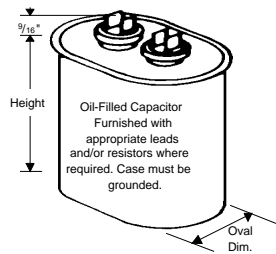
**Catalog Number 71A6542
For 1000W M47
60 Hz CWA
Status: Active**

DIMENSIONS AND DATA

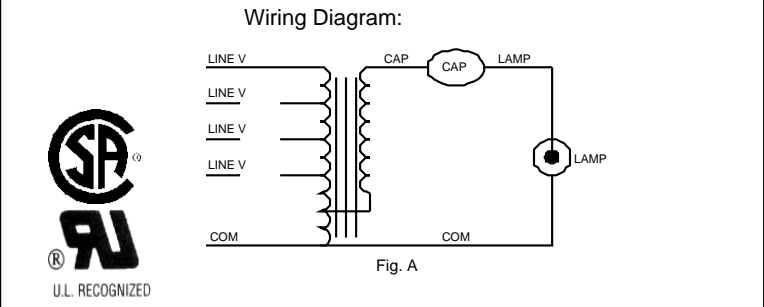


INPUT VOLTS	480				
CIRCUIT TYPE	CWA				
POWER FACTOR (min)	90%				
REGULATION					
Line Volts	±10%				
Lamp Watts	±10%				
LINE CURRENT (Amps)					
Operating.....	2.25				
Open Circuit.....	1.20				
Starting.....	1.90				
UL TEMPERATURE RATINGS					
Insulation Class	H(180°C)				
Coil Temperature Code	1029	D			
MIN. AMBIENT STARTING TEMP.	-20°F or -30°C				
NOM. OPEN CIRCUIT VOLTAGE	430				
INPUT VOLTAGE AT LAMP DROPOUT.....	336				
INPUT WATTS	1080				
RECOMMENDED FUSE (Amps).....	6				
CORE and COIL					
Dimension (A)	2.60				
Dimension (B)	4.50				
Weight (lbs.)	21				
Lead Lengths	12"				
CAPACITOR REQUIREMENT					
Microfarads	24.0				
Volts (min.)	480				
Fault Current Withstand (amps)	480				
60 Hz TEST PROCEDURES (Refer to Advance Test Procedure for HID Ballasts - Form 1270)					
High Potential Test (Volts)					
1 minute					
2 seconds	2000				
Open Circuit Voltage Test (Volts)	2500				
Short-Circuit Current Test (Amps)	385-475				
Secondary Current					
Input Current.....	5.20-6.40	1.40	-	-	-
		2.15			

Capacitor: MD2409-100



Capacitance: 24
Dia/Oval Dim: 1.75
Height: 3.9
Temp Rating: 90°C



Ignitor: NA

This ballast does not require the use of an ignitor.

Typical Ordering Information

(please call Advance for suffix availability)

Order Suffix	Description
500	Ballast with Oil-Filled Capacitor
510	Ballast w/Welded Bracket and Oil-Filled Capacitor
600	Ballast Only, No Capacitor
610	Ballast with Welded Bracket, No Capacitor

Data is based upon tests performed by Advance Transformer in a controlled environment and representative of relative performance. Actual performance can vary depending on operating conditions. Specifications are subject to change without notice.

ADVANCE

O'HARE INTERNATIONAL CENTER · 10275 WEST HIGGINS ROAD · ROSEMONT, IL 60018
Customer Support/Technical Service: Phone: 800-372-3331 · Fax: 630-307-3071
Corporate Offices: Phone: 800-322-2086

06/01/04