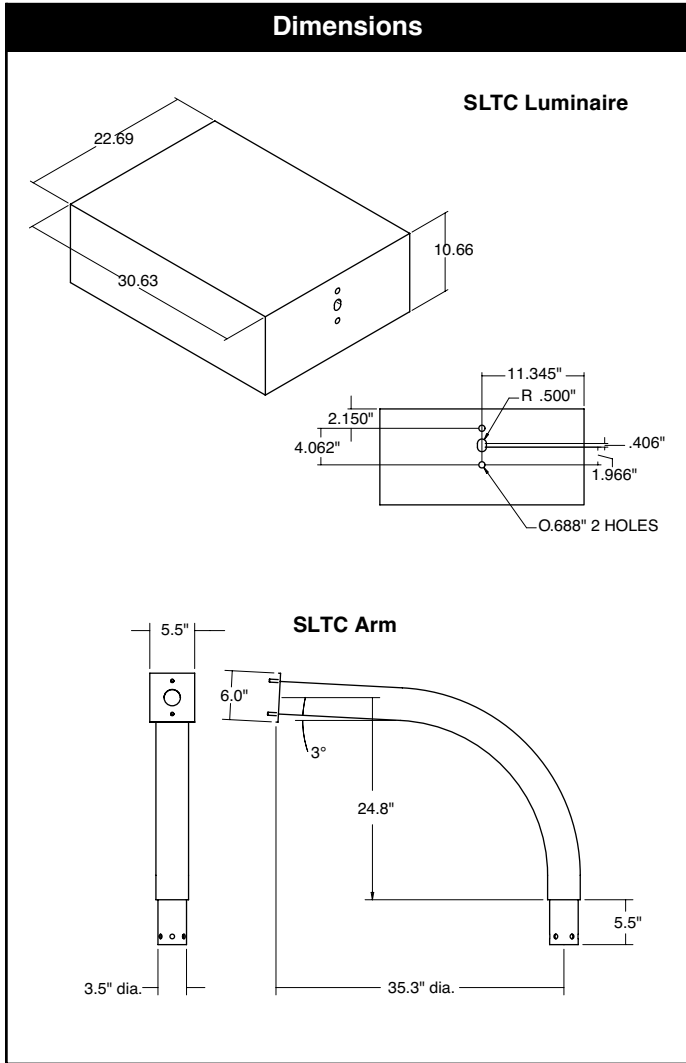


Job	Type
-----	------



Specifications

Housing

- One-piece formed and welded aluminum housing
- Two mills minimum of electrostatically applied powder coating
- Standard finishes include black, green, and bronze

Lens Assembly

- Extruded aluminum frame with clear flat tempered glass lens
- The lens is sealed from the elements with cellular urethane foam gasket
- Assembly is mounted to the housing with concealed hinges and secured with stainless steel captive fasteners

Optics

- Computer designed to provide a forward directional, sharp cutoff and uniform light distribution pattern
- Made of super high purity specular aluminum
- Uses standard BT-56 1000 watt metal halide lamp for true color rendition

Electrical

- Ballast is factory mounted to a galvanized steel plate for added support and strength
- Isolated ballast compartment creates cooler operation for prolonged ballast life
- Multi-Tap (120, 208, 240, 277V) or 480V ballast
- UL 1598 wet location listed

Arms

- 4" diameter steel upsweep arms
- Two mills minimum of electrostatically applied powder coating
- Standard finishes include black, green, and bronze
- Mounting hardware included

Ordering Information

Fixture Data

series	housing style	wattage/ source	optic	voltage	color
SLTC	A		HT		

SERIES	
SLTC	Sportsliter Tennis Court
HOUSING STYLE	
A	Four inches
WATTAGE/SOURCE	
0400H	400 watt Metal Halide ¹
1000H	1000 watt Metal Halide ¹

OPTIC	
HT	Horizontal Forward Throw
20	Twenty feet
VOLTAGE	
8	Quad-Tap® (120, 208, 240, 277V)
5	480V
COLOR	
1	Bronze
2	Black
7	Green

ORDERING INFORMATION – ARMS	
CATALOG NUMBER	DESCRIPTION
SLTC-SA-1	Single Arm, bronze
SLTC-SA-2	Single Arm, black
SLTC-SA-7	Single Arm, green

1. Lamp included.

Comments



Submitted by:
Hubbell Lighting, Inc., 701 Millennium Boulevard, Greenville SC, 29607, 864-678-1000 • Fax 866-678-1417



Job	Type
-----	------

Dimensions

Twin & Quad Couplers

10.2" dia.

6.0"

18.4"

6.6"

3.5" dia.

Specifications

Twin & Quad Couplers

- 4" common arm for twin and quad couplers
- Twin couplers good for 70° and 180° orientations
- Mounting hardware and set screws included

Shroud

- Aesthetic cover with matching powder coat finish
- Shroud size varies with pole diameter
- Installation requires no tools

Ordering Information

Twin & Quad Couplers

CATALOG NUMBER	DESCRIPTION
SLTC-TB-1	Twin Coupler, bronze
SLTC-TB-2	Twin Coupler, black
SLTC-TB-7	Twin Coupler, green
SLTC-QB-1	Quad Coupler, bronze
SLTC-QB-2	Quad Coupler, black
SLTC-QB-7	Quad Coupler, green

Shrouds

CATALOG NUMBER	DESCRIPTION
SHROUDX-M51	Shroud, bronze
SHROUDX-M50	Shroud, black
SHROUDX-M57	Shroud, green

NOTE: Replace X with 4-4" poles, 5-5" poles, 6-6" poles.

Comments	
----------	--



Hubbell Lighting, Inc.