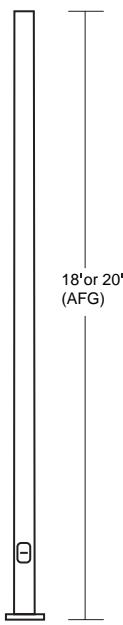


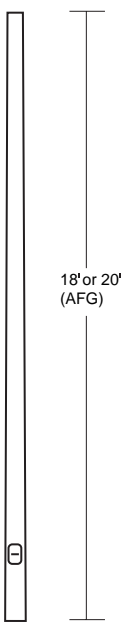
Job	Type
-----	------

### Dimensions



18' or 20'  
(AFG)

**Anchor Base**

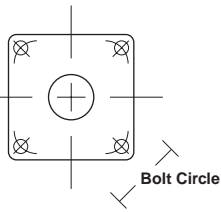


18' or 20'  
(AFG)

**Direct Embedded**

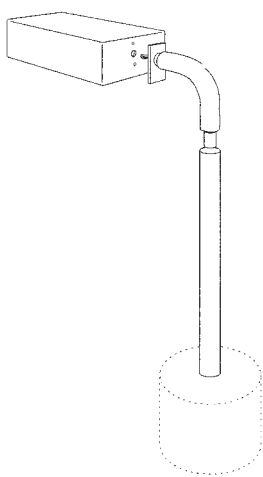
**Standard Anchor Bolts & Template**  
 TAB-30-M38 3/4"x30"x3" (galvanized)  
 TAB-36-M38 1"x36"x4" (galvanized)

**Anchor Base**  
 Bolt Circles: 8"-9"  
 depending upon pole size

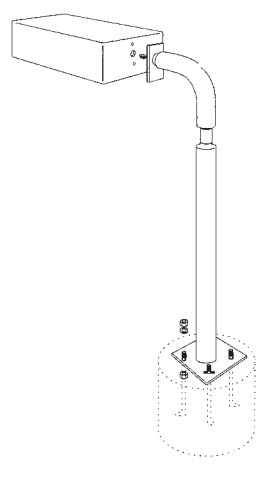


### Specifications

**Direct Embedded**



**Anchor Base**



**Direct Embedded / Anchor Base Steel**

- Round straight steel shafts
- Material is ASTM A500 Grade A to 50,000 PSI yield
- Wall thickness .180 to .250, depending upon gauge
- Ground lugs
- Lektrocote® powder paint finish
- Hand hole (18" above grade)

**Anchor Base Poles**

- Base material ASTM (STY+36KSI) steel plate
- Four "L" shaped galvanized high tensile strength anchor bolts
- Two-piece base covers

### Ordering Information

	series	nominal shaft size	nominal shaft length	pole gauge	mounting base	color
<b>Fixture Data</b>	<b>SLT</b>					
<b>SERIES</b>	<b>NOMINAL SHAFT LENGTH</b>		<b>MOUNTING BASE</b>			
SLT	18	Eighteen feet	AB <sup>4</sup>	Anchor Base Steel		
	20	Twenty feet	DB	Direct Burial Steel		
<b>NOMINAL SHAFT SIZE</b>	<b>POLE GAUGE</b>		<b>COLOR</b>			
4	Four inches	3 <sup>1</sup>	3 Gauge	M51	Bronze	
5	Five inches	7 <sup>2</sup>	7 Gauge	M50	Black	
6	Six inches	1 <sup>3</sup>	11 Gauge	M57	Green	

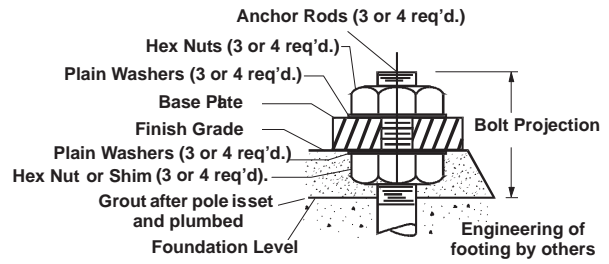
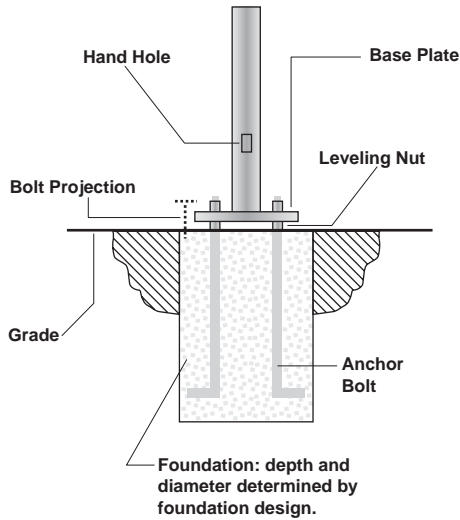
1. Six inch shafts only.  
 2. Four and five inch shafts only.  
 3. Four inch shafts only.  
 4. Anchor base poles include base cover.

Comments	
----------	---

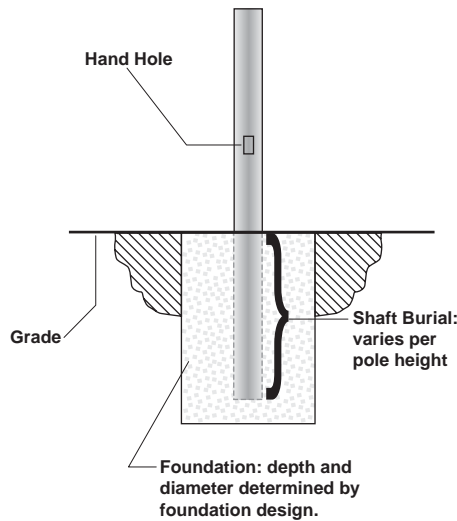
Job	Type
-----	------

**Foundation Information**

**ANCHOR BASE**



**DIRECT EMBEDDED**



Comments



Hubbell Lighting, Inc.