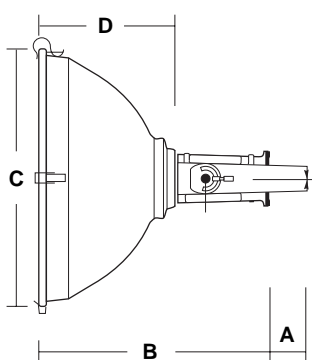


Job	Type
-----	------

Dimensions



EPA

2.8 ft.²

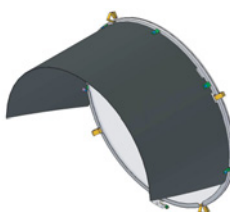
.03 m²

20.5 lbs

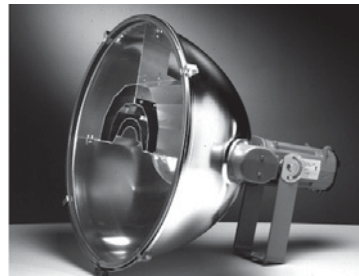
Integral Ballasted System Horizontal Optics


A	B	C	D
3.5"	21"	22.5"	13"
89 mm	533 mm	572 mm	330 mm

Optional V2 Visor



Specifications





 NRTL/C

NOTE: Fixture shown with optional "SG" louvers

Housing

- Die cast aluminum socket housing
- Steel yoke mounting
- Lektrocote® polyester powder paint finish
- Silicone gasketing
- Isolated wiring chamber
- Hubbell Gard® treated hardware
- Repositioning stop

Optic

- Horizontal mounted lamp (with or without internal spill/glare louvers)
- Spun aluminum parabolic reflector
- Silicone gasketing
- Lamp support
- Stainless steel lens ring
- Stainless steel hinge
- Four-point latching

Special Features

- 120 mph wind tunnel tested
- 100% factory electrically tested
- Optic and housing shipped completely assembled

Ordering Information

Fixture Data	series	watt	lamp type	ballast	beam dist.	voltage	spill control option	lamp	options
	SLS		H	0		0		L	

SERIES	
SLS	Sportsliter System

BEAM DISTRIBUTION	
N	Narrow Beam
M	Medium Beam
W	Wide Beam

SPILL CONTROL OPTION ²	
SG	Spill/Glare Louvers

WATT	
1000	1000W
1500	1500W

LAMP	
L	Lamp (shipped separately)

LAMP TYPE	
H	Metal Halide

VOLTAGE	
0	No Ballast (remote head only)

OPTIONS	
PH ¹	Protective Hull
V2 ³	12" External Visor

BALLAST TYPE	
0	No Ballast (remote head only)

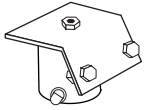
Comments	
----------	---

Job	Type
-----	------

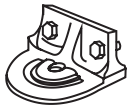


CATALOG NUMBER	DESCRIPTION	WEIGHT lbs (kg)
4024C	Slipfitter for 2" (2 3/8" O D) tenon	4 (1.8)
4090	Heavy Duty Cast Iron Crossarm Fitting for horizontal trunnion	3 (1.4)
SLS-SPC ¹	Polycarbonate Shield	5 (2.3)
SLS-AA-REM	Remote Head Aiming Sight	
LR-30	Safety Cable	-

1 Suitable for NEMA 5/6 beam spreads 1000W only



4024C



4090



SLS SPC



Hubbell Lighting, Inc.