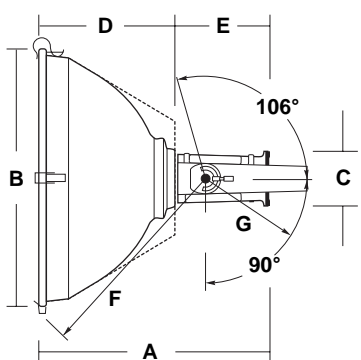


Job	Type
-----	------

### Dimensions



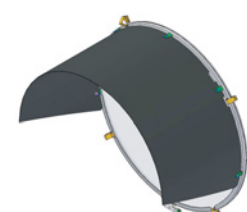
**EPA**  
2.8 ft.<sup>2</sup>  
.03 m<sup>2</sup>  
18.0 lbs

**Integral Ballasted System Axial Optics**

A	B	C	D	E	F	G
22.125"	22.5"	4.75"	12"	8.125"	18.875"R	9" R
511 mm	572 mm	121 mm	305 mm	206 mm	479 mm	229 mm

**Note:** Aimed 40° below horizontal.

**Optional V2 Visor**



### Specifications



  
  
 NRTL/C

**Housing**

- Die cast aluminum socket housing
- Steel yoke mounting
- Lektrocote® polyester powder paint finish
- Silicone gasketing
- Isolated wiring chamber
- Hubbell Gard® treated hardware
- Repositioning stop

**Optic**

- Axial mounted lamp
- Spun Aluminum parabolic reflector
- Silicone gasketing
- Lamp support
- Stainless steel lens ring
- Stainless steel hinge
- Four-point latching

**Special Features**

- 120 mph wind tunnel tested
- 100% factory electrically tested
- Optic and housing shipped separately

## Ordering Information

Fixture Data

series	watt	lamp type	ballast	beam dist.	voltage	lamp	options
<b>SLS</b>		<b>H</b>	<b>0</b>		<b>0</b>	<b>L</b>	

<b>SERIES</b>	<b>BEAM DISTRIBUTION</b>	<b>LAMP</b>
SLS Sportsliter System	2 NEMA type 2	L Lamp (shipped separately)
<b>WATT</b>	3 NEMA type 3	<b>OPTIONS</b>
1000 1000W	4 NEMA type 4	PH <sup>1</sup> Protective Hull
1500 1500W	5 NEMA type 5	V2 <sup>2</sup> 12" External Visor
<b>LAMP TYPE</b>	<b>VOLTAGE</b>	
H Metal Halide	0 No Ballast (remote head only)	
<b>BALLAST TYPE</b>		
0 No Ballast (remote head only)		

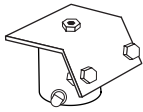
1. Hull adds 4lbs. to total weight, shipped separately.  
2. Shipped separately.

Comments	
----------	---

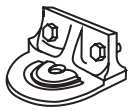
Job	Type
-----	------

CATALOG NUMBER	DESCRIPTION	WEIGHT lbs (kg)
4024C	Slipfitter for 2" (2 3/8" O D ) tenon	4 (1.8)
4090	Heavy Duty Cast Iron Crossarm Fitting for horizontal trunnion	3 (1.4)
SL-HCL	Half Internal Concentric Louver	2 (0.9)
SLS-CL	Full Internal Concentric Louver	3 (1.4)
SLC-SPC <sup>1</sup>	Polycarbonate Shield	5 (2.3)
SLS-AA-REM	Remote Head Aiming Sight	
LR30	Safety Cable	

<sup>1</sup> Suitable for NEMA 5/6 beam spreads 1000W only



4024C



4090



SL-HCL



SLS-CL



SLS-SPC



Hubbell Lighting, Inc.