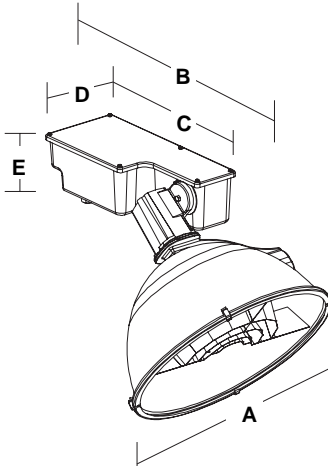


Job	Type
-----	------

Dimensions



EPA

2.8 ft.²


.03 m²

Integral Ballasted Spill Control Optics

A	B	C	D	E
22.87"	35.75"	20.13"	8.75"	5.5"
579 mm	907 mm	511 mm	223 mm	140 mm

Note: Aimed 40° below horizontal

Optional V2 Visor



Specifications






NRTL

Housing

Die cast aluminum housing. Isolated die cast aluminum socket housing. Isolated ballast compartment. Isolated capacitor compartment. Isolated wiring chamber (maximum 90° input cord). Vertical aiming/repositioning memory. Horizontal aiming indicator. Lektrocote® polyester powder paint finish (gray).

Optics

Internal faceted louvers. Horizontal mounted lamp. Uses standard BT-56 lamps. Anodal® finished parabolic reflector. Four point latching. Stainless steel lens ring. Stainless steel door hinge. Silicone gasketing. Tempered clear glass lens. Filtered optics. Front lamp support standard. 22 7/8" diameter maximum.

Installation

One captive mounting bolt (3/4" dia.) installed in fixture. Aiming sight included. FAST AIM system. Shipped assembled from factory. Single ballast cover plate for easy access.

Special Features

1g, 100,000 cycle vibration tested. Wind tunnel tested to 120 mph. Captive hardware. Hubbell Gard™ treated external hardware. UL 1598 listed and CSA NRTL certified for 40°C ambient operation. External fusing access. Mogul socket, 4kv pulse rated, 600v rated. 100% factory electrically tested.

Ordering Information

Fixture Data	series	watt	lamp type	ballast	beam dist.	voltage	spill control	lamp	options	options
	SLS		H	1			SG	L		

SERIES

SLS	Sportsliter System
------------	--------------------

WATT

1000	1000W
1500	1500W

LAMP TYPE

H	Metal Halide
----------	--------------

BALLAST TYPE

1	HPF regulated PLA
----------	-------------------

BEAM DISTRIBUTION

N	Narrow beam
M	Medium beam
W	Wide beam

VOLTAGE

5	480V
8	Quad Tap® (120, 208, 240, 277V)
6	Tri-Tap (120, 277, 347)
E	220/240V, 50 Hz.

SPILL/GLARE CONTROL

SG	Spill/Glare Louvers
-----------	---------------------

LAMP

L	Lamp (shipped separately)
----------	---------------------------

OPTIONS

F¹ (X)	Fusing
PH²	Protective Hull
V2³	12" External Visor

1. Replace "X" with 2-208V; 3-240V; 4-277V; 5-480V; 6-347V.
2. Hull adds 4lbs. to total weight, shipped separately.
3. Shipped separately.

Comments	
----------	---