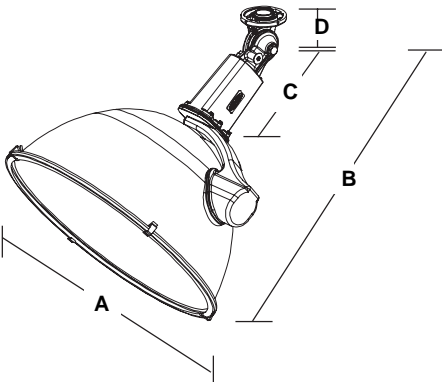


Job	Type
-----	------

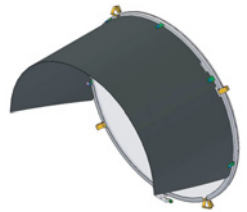
Dimensions



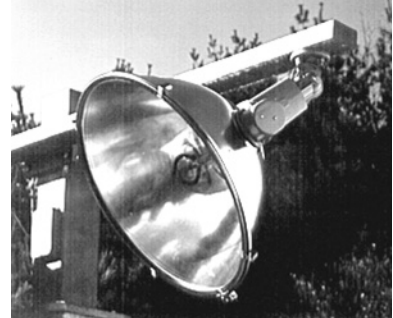
Remote Horizontal Optics



A	B	C	D
22.87"	21.75"	8.87"	2.94"
579 mm	554 mm	226 mm	75 mm

Optional V2 Visor



Specifications





 NRTL/C

Housing
Die cast aluminum socket housing. Factory aimed and pre-wired. Enclosed wiring. Silicone gasketing. Vertical aiming/repositioning memory. Labeled for easy reference. Pre-wired with quick connectors.

Optics
Horizontal mounted lamp. Uses standard BT-56 lamps. Anodal® finished parabolic reflector. Four point latching. Stainless steel lens ring. Stainless steel door hinge. Silicone gasketing. Tempered clear glass lens. Lamp support standard. Pre-wired with quick connectors. 22 7/8" diameter maximum.

Installation
Each socket housing factory pre-wired to single plug connector. Factory aimed to computer generated points. Positioning pin for capturing aiming angles. Socket housing factory attached and aimed to crossarm assembly. Labeled for easy reference.

Special Features
Wind tunnel tested to 120 mph. 1g, 200,000 cycle vibration tested. Stainless steel and Hubbell Gard™ treated external hardware. UL 1598 listed and CSA NRTL certified. Mogul socket, 4kv pulse rated, 600v rated. 100% factory electrically tested. Designed as a system.

Ordering Information

	series	watt	source	beam dist.	options
Fixture Data	SRR				

SERIES	BEAM DISTRIBUTION	OPTIONS
SRR Solutions Remote Reflector	N Narrow beam	PH Protective Hull
WATT	M Medium beam	V2 ¹ 12" External Visor
1000 1000W	W Wide beam	
1500 1500W		
SOURCE		
H Metal Halide		

1. Shipped separately.

Comments	
----------	---