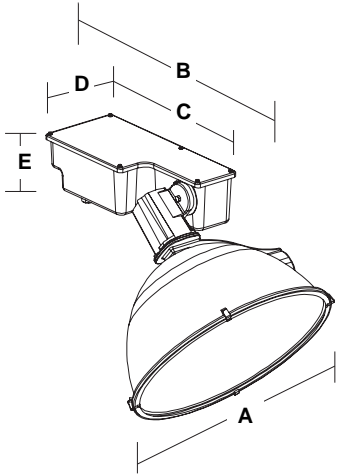


Job	Type
-----	------

Dimensions



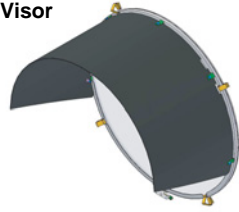
EPA
2.8 ft.²
.03 m²

Integral Ballasted System Horizontal Optics

A	B	C	D	E
22.87"	35.75"	20.13"	8.75"	5.5"
579 mm	907 mm	511 mm	223 mm	140 mm

Note: Aimed 40° below horizontal

Optional V2 Visor



Specifications






NRTL

Housing
Die cast aluminum housing. Isolated die cast aluminum socket housing. Isolated ballast compartment. Isolated capacitor compartment. Isolated wiring chamber (maximum 90° input cord). Vertical aiming/repositioning memory. Horizontal aiming indicator. Lektrocote® polyester powder paint finish (gray).

Optics
Horizontal mounted lamp. Uses standard BT-56 lamps. Spun aluminum parabolic reflector. Four point latching. Stainless steel lens ring. Stainless steel door hinge. Silicone gasketing. Tempered clear glass lens. Filtered optics. Front lamp support standard 22 7/8" diameter maximum.

Installation
Pre-wired with 16/3 STOW-A cord and plug. One captive mounting bolt (3/4" dia.) installed in fixture. Aiming sight included. FAST AIM system. Shipped assembled from factory. Single ballast cover plate for easy access.

Special Features
1g, 100,000 cycle vibration tested. Wind tunnel tested to 120 mph. Captive hardware. Hubbell Gard™ treated external hardware. UL 1598 listed and CSA NRTL certified for 40°C ambient operation. External fusing access. Mogul socket, 4kv pulse rated, 600v rated. 100% factory electrically tested. Designed as a system.

Ordering Information

Fixture Data	series	watt	lamp type	ballast	beam dist.	voltage	sol. cord	lamp	options	options
	SLS		H	1			SS	L		

<p>SERIES</p> <table border="1" style="width:100%; border-collapse: collapse;"> <tr> <td style="width: 10%; text-align: center;">SLS</td> <td>Sportsliter System</td> </tr> </table> <p>WATT</p> <table border="1" style="width:100%; border-collapse: collapse;"> <tr> <td style="width: 10%; text-align: center;">1000</td> <td>1000W</td> </tr> <tr> <td style="text-align: center;">1500</td> <td>1500W</td> </tr> </table> <p>LAMP TYPE</p> <table border="1" style="width:100%; border-collapse: collapse;"> <tr> <td style="width: 10%; text-align: center;">H</td> <td>Metal Halide</td> </tr> </table> <p>BALLAST TYPE</p> <table border="1" style="width:100%; border-collapse: collapse;"> <tr> <td style="width: 10%; text-align: center;">1</td> <td>HPF regulated PLA</td> </tr> </table>	SLS	Sportsliter System	1000	1000W	1500	1500W	H	Metal Halide	1	HPF regulated PLA	<p>BEAM DISTRIBUTION</p> <table border="1" style="width:100%; border-collapse: collapse;"> <tr> <td style="width: 10%; text-align: center;">N</td> <td>Narrow beam</td> </tr> <tr> <td style="text-align: center;">M</td> <td>Medium beam</td> </tr> <tr> <td style="text-align: center;">W</td> <td>Wide beam</td> </tr> </table> <p>VOLTAGE</p> <table border="1" style="width:100%; border-collapse: collapse;"> <tr> <td style="width: 10%; text-align: center;">5</td> <td>480V</td> </tr> <tr> <td style="text-align: center;">8</td> <td>Quad Tap® (120, 208, 240, 277V)</td> </tr> <tr> <td style="text-align: center;">6</td> <td>Tri-Tap (120, 277, 347)</td> </tr> <tr> <td style="text-align: center;">E</td> <td>220/240V, 50 Hz.</td> </tr> </table>	N	Narrow beam	M	Medium beam	W	Wide beam	5	480V	8	Quad Tap® (120, 208, 240, 277V)	6	Tri-Tap (120, 277, 347)	E	220/240V, 50 Hz.	<p>SOLUTIONS CORD</p> <table border="1" style="width:100%; border-collapse: collapse;"> <tr> <td style="width: 10%; text-align: center;">SS</td> <td>Pre-wired cord and plug</td> </tr> </table> <p>LAMP</p> <table border="1" style="width:100%; border-collapse: collapse;"> <tr> <td style="width: 10%; text-align: center;">L</td> <td>Lamp (shipped separately)</td> </tr> </table> <p>OPTIONS</p> <table border="1" style="width:100%; border-collapse: collapse;"> <tr> <td style="width: 10%; text-align: center;">F¹ (X)</td> <td>Fusing</td> </tr> <tr> <td style="text-align: center;">PH²</td> <td>Protective Hull</td> </tr> <tr> <td style="text-align: center;">V2³</td> <td>12" External Visor</td> </tr> </table>	SS	Pre-wired cord and plug	L	Lamp (shipped separately)	F ¹ (X)	Fusing	PH ²	Protective Hull	V2 ³	12" External Visor
SLS	Sportsliter System																																			
1000	1000W																																			
1500	1500W																																			
H	Metal Halide																																			
1	HPF regulated PLA																																			
N	Narrow beam																																			
M	Medium beam																																			
W	Wide beam																																			
5	480V																																			
8	Quad Tap® (120, 208, 240, 277V)																																			
6	Tri-Tap (120, 277, 347)																																			
E	220/240V, 50 Hz.																																			
SS	Pre-wired cord and plug																																			
L	Lamp (shipped separately)																																			
F ¹ (X)	Fusing																																			
PH ²	Protective Hull																																			
V2 ³	12" External Visor																																			

1. Replace "X" with 1-120V; 2-208V; 3-240V; 4-277V; 5-480V; 6-347V.
 2. Hull adds 4lbs. to total weight, shipped separately.
 3. Shipped separately.

Comments	
----------	---------------------------------------------------------------------------------------