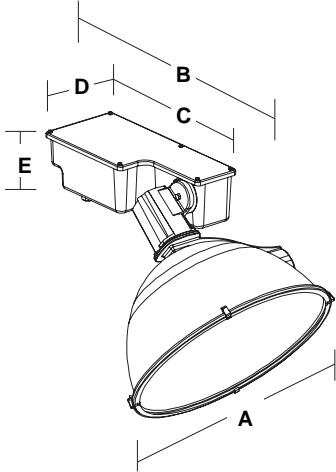


Job	Type
-----	------

Dimensions



EPA

2.8 ft.²


.03 m²

Integral Ballasted System Horizontal Optics

A	B	C	D	E
22.87"	35.75"	20.13"	8.75"	5.5"
579 mm	907 mm	511 mm	223 mm	140 mm

Note: Aimed 40° below horizontal

Optional V2 Visor



Specifications






NRTL

Housing
Die cast aluminum housing. Isolated die cast aluminum socket housing. Isolated ballast compartment. Isolated capacitor compartment. Isolated wiring chamber (maximum 90° input cord). Vertical aiming/repositioning memory. Horizontal aiming indicator. Lektrocote® polyester powder paint finish (gray).

Optics
Horizontal mounted lamp. Uses standard BT-56 lamps. Anoda® finished parabolic reflector. Four point latching. Stainless steel lens ring. Stainless steel door hinge. Silicone gasketing. Tempered clear glass lens. Filtered optics. Front lamp support standard 22 7/8" diameter maximum.

Installation
One captive mounting bolt (3/4" dia.) installed in fixture. Aiming sight included. FAST AIM system. Shipped assembled from factory. Single ballast cover plate for easy access.

Special Features
1g, 100,000 cycle vibration tested. Wind tunnel tested to 120 mph. Captive hardware. Hubbell Gard™ treated external hardware. UL 1598 listed and CSA NRTL certified for 40°C ambient operation. External fusing access. Mogul socket, 4kv pulse rated, 600v rated. 100% factory electrically tested.

Ordering Information

Fixture Data	series	watt	lamp type	ballast	beam dist.	voltage	sol. cord	lamp	options	options
	SLS		H	1			N/A	L		

SERIES

SLS	Sportsliter System
-----	--------------------

WATT

1000	1000W
1500	1500W

LAMP TYPE

H	Metal Halide
---	--------------

BALLAST TYPE

1	HPF regulated PLA
---	-------------------

BEAM DISTRIBUTION

N	Narrow beam
M	Medium beam
W	Wide beam

VOLTAGE

5	480V
8	Quad Tap® (120, 208, 240, 277V)
6	Tri-Tap (120, 277, 347)
E	220/240V, 50 Hz

LAMP

L	Lamp (shipped separately)
---	---------------------------

OPTIONS

F ¹ (X)	Fusing
PH ²	Protective Hull
V ² ³	12" External Visor

1. Replace "X" with 2-208V; 3-240V; 4-277V; 5-480V; 6-347V.
 2. Hull adds 4lbs. to total weight, shipped separately.
 3. Shipped separately.

Comments