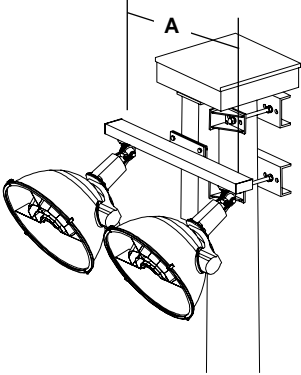


Job	Type
-----	------

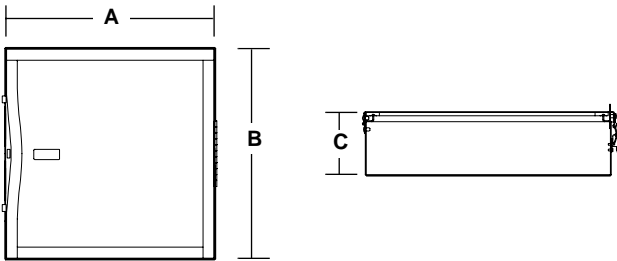
Dimensions



Side Mount Remote Crossarm

A
30.0"
762 mm

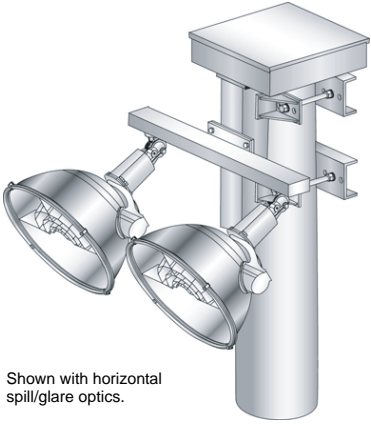
Notes: Vertical spacing of multiple crossarms is 32" (813mm).
Shown with horizontal spill/glare optics.





Typical Junction Box Dimensions

A	B	C
19.37"	19.5"	4.97"
491 mm	495 mm	126 mm

Specifications





 NRTL/C

Note: Shown with horizontal spill/glare optics.

Crossarm
Die cast aluminum socket housing painted with gray polyester powder paint. Factory pre-aimed. Silicone gasketed end caps. Labeled for easy reference. Hot dip-galvanized junction box to ASTM A123 standards with Quick Connect pre-wired luminaire leads. Crossarm rectangular steel 4" x 2" x 1/8" tubing is hot-dipped galvanized after fabrication to ASTM A123 specifications.

Installation
All wiring enclosed within individual crossarm assemblies to a single plug connector. Ground lug. Each socket housing is factory attached and aimed by two stainless steel bolts. Vertical mounting shaft 5" square galvanized steel. Vertical re-positioning stop/aiming pin. Labeled for easy installation. Strain relief support.

Special Features
Factory wired with 14 gage 90°C wire. Wind tunnel tested to 120 mph. 180° aiming. All welds are fillet type. UL and CSA NRTL/C listed.

Ordering Information

Fixture Data	series	housing	optics	luminaire qty ¹	configuration	option
	CC	R			4	

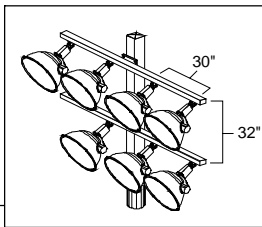
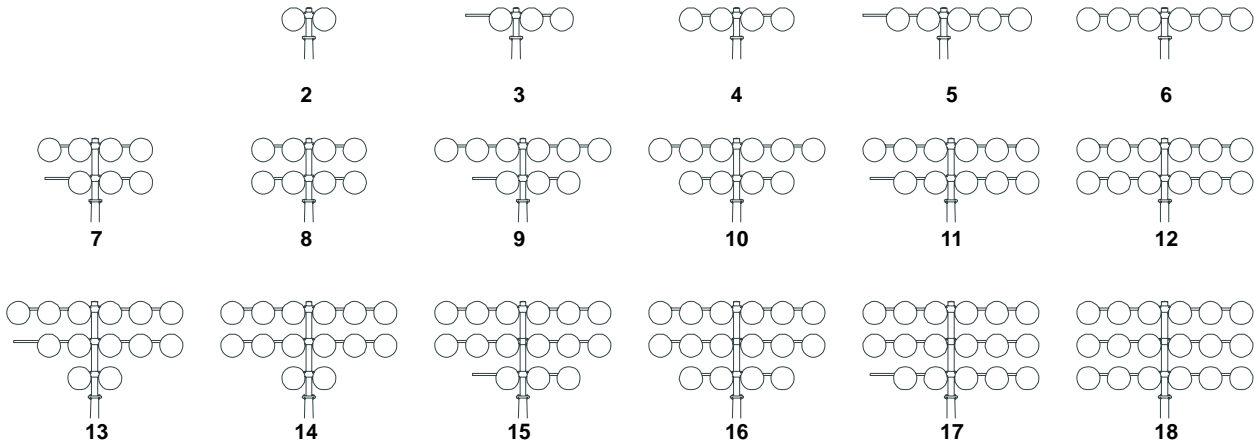
SERIES	LUMINAIRE QTY.	LUMINAIRE QTY. CONT.
CC Clamp On Side Mount	02 Two	14 Fourteen
HOUSING STYLE	03 Three	15 Fifteen
R Remote	04 Four	16 Sixteen
OPTICS	05 Five	17 Seventeen
A Axial	06 Six	18 Eighteen
H Horizontal	07 Seven	
	08 Eight	CONFIGURATION
	09 Nine	4 Remote
	10 Ten	OPTION
	11 Eleven	-LR Lightning Protection
	12 Twelve	
	13 Thirteen	

1 18 maximum. Consult factory for additional quantities.

Comments	
----------	---

Job	Type
-----	------

Crossarm Configurations



NOTE: Crossarm configuration is shown as viewed from the playing field.

Crossarm Weights

Fixt. Count	Total Wt. lbs. *
2	130.4
3	179.1
4	204.1
5	252.8
6	277.8
7	365.2
8	390.2
9	439.0
10	464.0

Typical Luminaire Spacing

Crossarm Weights

Fixt. Count	Total Wt. lbs. *
11	512.7
12	537.7
13	625.0
14	650.0
15	698.8
16	723.8
17	772.5
18	797.5

Note: * With optics and distribution box

Ordering Information

harness	mounting	pole height	crossarm configuration
SH	C		



HARNESS

SH	Solutions Harness
-----------	-------------------

MOUNTING

C	Side Mount
----------	------------

POLE HEIGHT

040	40 ft.
045	45 ft.
050	50 ft.
055	55 ft.
060	60 ft.
070	70 ft.
080	80 ft.
090	90 ft.
100	100 ft.

Construction/Electrical

Top and bottom quick connect plugs. Factory pre-wired and assembled. Individually color coded wires for fixture polarization. 12 gauge wire rated 600V with 90°C outer sleeving. Ground wire included for continuous grounding. Stainless steel wire support grip. Harness enclosed in convoluted tubing. Tie wraps every 5 feet. Spiral wound. Labeled for easy reference (pole/crossarm/fixture.) UL and CSA NRTL/C listed. Designed as a system. 100% electrically factory tested. Wiring enclosed and protected inside the pole.

CROSSARM CONFIGURATION

6	2-6 luminaires
----------	----------------



NRTL/C



Hubbell Lighting, Inc.