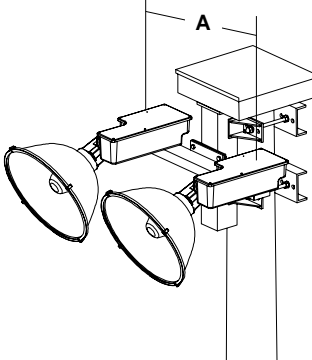


Job	Type
-----	------

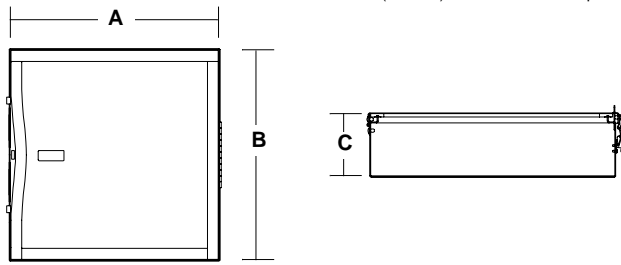
### Dimensions



**Side Mount Integral Crossarm**

A
30.0"
762 mm

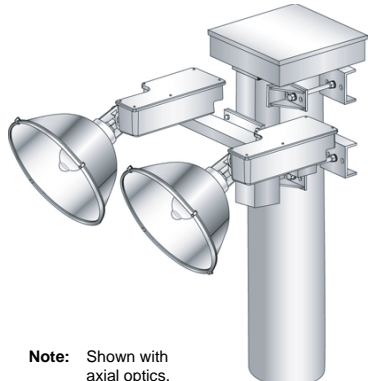
**Notes:** Vertical spacing of multiple crossarms is 32" (813mm). Shown with axial optics.





**Typical Junction Box Dimensions**

A	B	C
19.37"	19.5"	4.97"
491 mm	495 mm	126 mm

### Specifications



NRTL/C

**Note:** Shown with axial optics.

**Crossarm**  
Silicone gasketed end caps. Junction box sealed with EPDM gasketing, stainless steel latches and galvanized steel hinges. Crossarm rectangular steel 4" x 2" x 1/8" tubing, FTY - 46 KSI, ASTM A500 grade B. Crossarm and junction box hot-dip galvanized after fabrication to ASTM A123 specifications.

**Installation**  
Pre-wired with all crossarm wiring enclosed within crossarm assembly. Ground lug. Factory wired (208/277/347/480V) three phase for 7 though 18 luminaires, 6 and below and 240V systems wired single phase. Vertical mounting shaft 5" square galvanized steel. Junction box includes power distribution blocks standard and pre-wired to accept input voltage leads. Labeled for easy installation. Strain relief support grip.

**Special Features**  
Factory wired with 14 gauge, 600V 75°C wire from two pole three conductor 13A 600vac UL listed plug to quick connects wired to power distribution blocks. Wind tunnel tested to 120 mph. All welds are fillet type. UL and CSA NRTL/C listed. Seven light system and above wired for three phase operation.

## Ordering Information

<b>Fixture Data</b>	series	housing	optics	luminaire qty <sup>1</sup>	voltage	option
	<b>CC</b>	<b>I</b>				

SERIES	LUMINAIRE QTY.	LUMINAIRE QTY. CONT.
<b>CC</b> Clamp On Side Mount	<b>02</b> Two	<b>14</b> Fourteen
	<b>03</b> Three	<b>15</b> Fifteen
	<b>04</b> Four	<b>16</b> Sixteen
	<b>05</b> Five	<b>17</b> Seventeen
	<b>06</b> Six	<b>18</b> Eighteen
	<b>07</b> Seven	
	<b>08</b> Eight	
	<b>09</b> Nine	
	<b>10</b> Ten	
	<b>11</b> Eleven	
	<b>12</b> Twelve	
	<b>13</b> Thirteen	

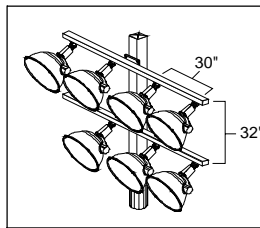
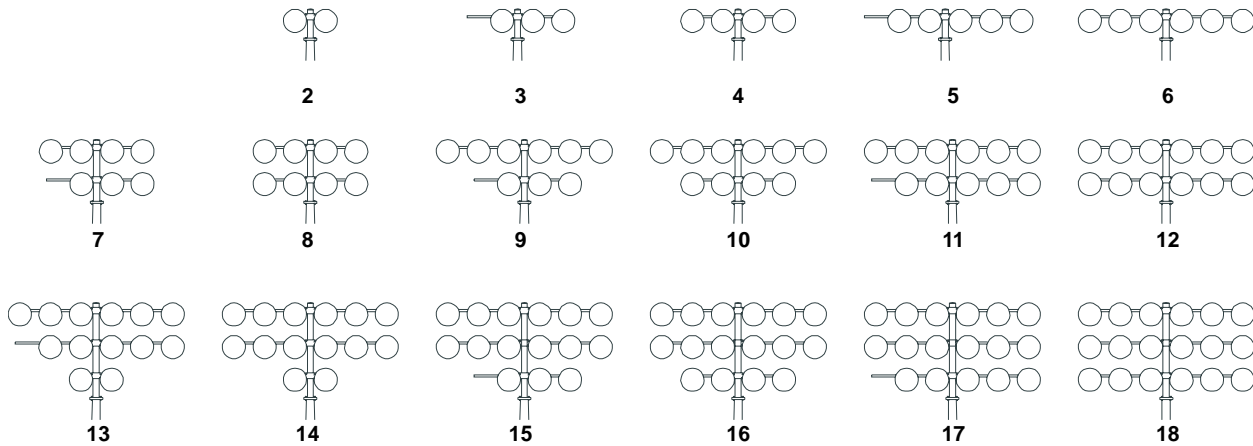
HOUSING STYLE	OPTICS	VOLTAGE
<b>I</b> Integral	<b>A</b> Axial	<b>2</b> 208V
	<b>H</b> Horizontal	<b>3</b> 240V
		<b>4</b> 277V
		<b>5</b> 480V
		<b>6</b> 347V

OPTION
<b>-LR</b> Lightning Protection

1 18 maximum. Consult factory for additional quantities.

Comments

## Crossarm Configurations



Typical Luminaire Spacing

**NOTE:** Crossarm configuration above is shown as viewed from the playing field.

## Crossarm Weights

Fixt. Count	Total Wt. lbs. *
2	190.4
3	269.1
4	324.1
5	402.8
6	457.8
7	575.2
8	630.2
9	709.0
10	764.0

## Crossarm Weights

Fixt. Count	Total Wt. lbs. *
11	842.7
12	897.7
13	1015.0
14	1070.0
15	1148.8
16	1203.8
17	1282.5
18	1337.5

**Note:** \* With fixtures and distribution box



Hubbell Lighting, Inc.