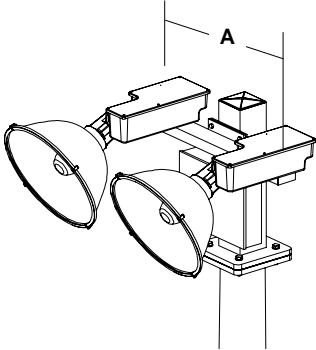


Job	Type
-----	------

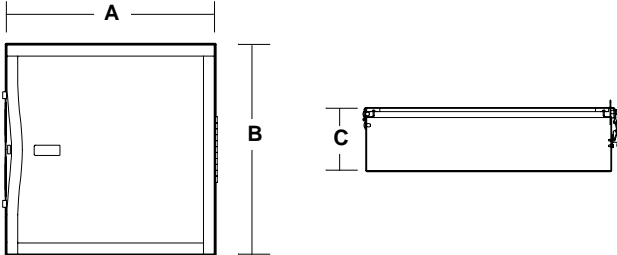
### Dimensions



**Top Mounted Integral Crossarm**

A
30.0"
762 mm

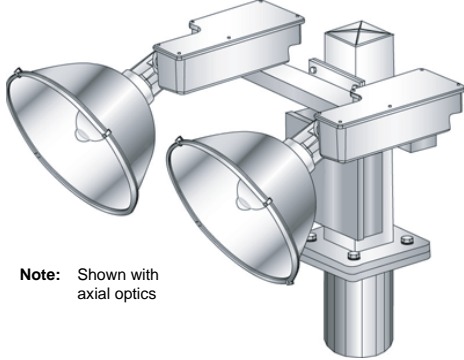
**Notes:** Vertical spacing of multiple crossarms is 32" (813mm)  
Shown with axial optics.





**Typical Junction Box Dimensions**

A	B	C
19.37"	13.5"	3.95"
491 mm	342 mm	100 mm

### Specifications



NRTL/C

**Note:** Shown with axial optics

**Crossarm**  
Silicone gasketed end caps. Junction box sealed with EPDM gasketing, stainless steel latches and galvanized steel hinges. Crossarm rectangular steel 4" x 2" x 1/8" tubing, FTY - 46 KSI, ASTM A500 grade B. Crossarm and junction box are hot-dip galvanized after fabrication to ASTM A123 specifications.

**Installation**  
Pre-wired with all crossarm wiring enclosed within crossarm assembly. Ground lug. Factory wired (208/277/347/480V) three phase for 7 though 18 luminaires, 6 and below and 240V systems wired single phase. Vertical mounting shaft 6" square galvanized steel. Junction box includes power distribution blocks standard and pre-wired to accept input voltage leads. Labeled for easy installation. Strain relief support grip. Removable pole top cap. ±11° Adjustable steel base plate mounting to pole top.

**Special Features**  
Factory wired with 14 gauge, 600V 90°C wire from two pole three conductor 13A 600vac UL listed plug. Wind tunnel tested to 120 mph. All welds are fillet type. UL and CSA NRTL/C listed. Seven light system and above wired for three phase operation.

## Ordering Information

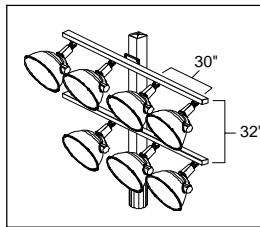
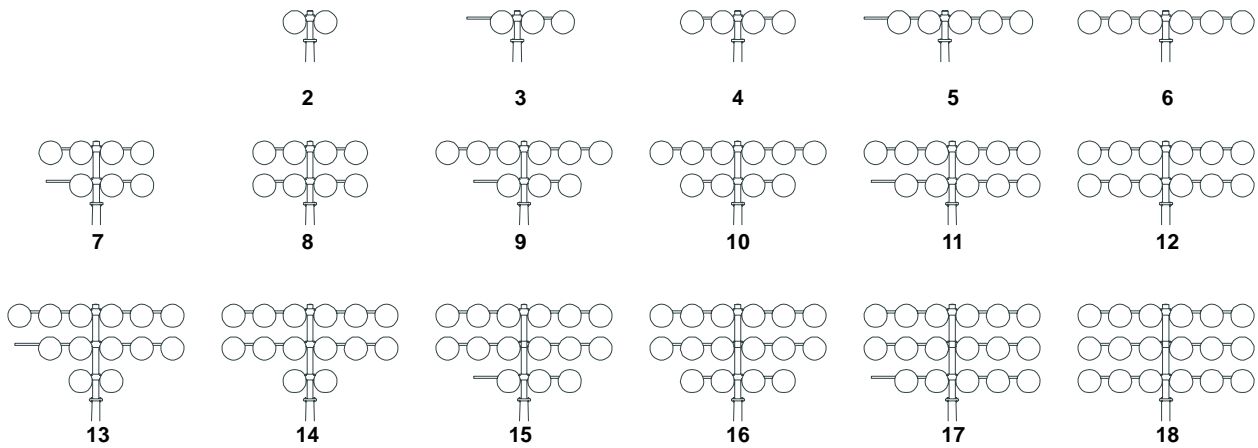
<b>Fixture Data</b>	series	housing	optics	luminaire qty <sup>1</sup>	voltage	option
	<b>CS</b>	<b>I</b>				

SERIES	LUMINAIRE QTY.	LUMINAIRE QTY. CONT.
<b>CS</b> Top Mount	<b>02</b> Two	<b>14</b> Fourteen
	<b>03</b> Three	<b>15</b> Fifteen
	<b>04</b> Four	<b>16</b> Sixteen
	<b>05</b> Five	<b>17</b> Seventeen
	<b>06</b> Six	<b>18</b> Eighteen
	<b>07</b> Seven	
	<b>08</b> Eight	
	<b>09</b> Nine	
	<b>10</b> Ten	
	<b>11</b> Eleven	
	<b>12</b> Twelve	
	<b>13</b> Thirteen	
		VOLTAGE
		<b>2</b> 208V
		<b>3</b> 240V
		<b>4</b> 277V
		<b>5</b> 480V
		<b>6</b> 347V
		OPTION
		<b>-LR</b> Lightning Protection

<sup>1</sup> 18 maximum. Consult factory for additional quantities.

Comments	
----------	---

Crossarm Configurations



Typical Luminaire Spacing

**NOTE:** Crossarm configuration above is shown as viewed from the playing field.

Crossarm Weights

Fixt. Count	Total Wt. lbs. *
2	229.8
3	308.6
4	363.6
5	442.3
6	497.3
7	622.4
8	677.4
9	756.1
10	811.1

Crossarm Weights

Fixt. Count	Total Wt. lbs. *
11	889.9
12	944.9
13	1069.8
14	1124.8
15	1203.6
16	1258.6
17	1337.3
18	1392.3

**Note:** \* With fixtures and distribution box



Hubbell Lighting, Inc.