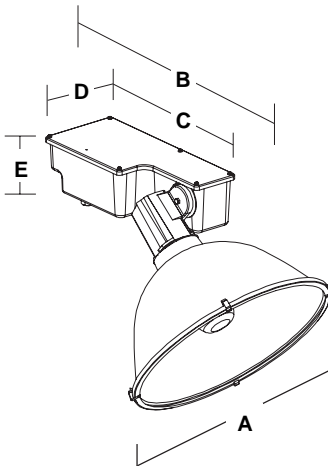


Job	Type
-----	------

Dimensions



EPA

2.8 ft.²


.03 m²

Integral Ballasted System Axial Optics


A	B	C	D	E
22.87"	35.75"	20.13"	8.75"	5.5"
579 mm	907 mm	511 mm	223 mm	140 mm



Note: Aimed 40° below horizontal.

Optional V2 Visor



Specifications



NRTL/C

Housing
Die cast aluminum housing. Isolated die cast aluminum socket housing. Isolated ballast compartment. Isolated capacitor compartment. Isolated wiring chamber (maximum 90° input cord.) Vertical aiming/repositioning memory. Horizontal aiming indicator. Lektrocote® polyester powder paint finish (gray).

Optics
Spun Aluminum parabolic reflector. Four point latching. Stainless steel lens ring. Stainless steel door hinge. Silicone gasketing. Tempered clear glass lens. Filtered optics. Lamp support standard. 22 7/8" diameter maximum.

Installation
One captive mounting bolt (3/4" dia.) installed in fixture. Aiming sight included. FAST AIM system. Modular shipment (ballast/optics). Single ballast cover plate for easy access.

Special Features
1g, 100,000 cycle vibration tested. Wind tunnel tested to 120 m.p.h. Captive hardware. Hubbell Gard™ treated external hardware. UL 1598 listed and CSA NRTL/C certified for 40°C ambient operation. External fusing access. Mogul socket, 4kv pulse rated, 600v rated. 100% factory electrically tested.

Ordering Information

Fixture Data	series	watt	lamp type	ballast	beam dist.	voltage	lamp	options	options
	SLS		H	1			L		

SERIES	
SLS	Sportsliter System

BEAM DISTRIBUTION	
2	NEMA type 2
3	NEMA type 3
4	NEMA type 4
5	NEMA type 5
6	NEMA type 6

LAMP	
L	Lamp (shipped separately)

WATT	
1000	1000W
1500	1500W


LAMP TYPE	
H	Metal Halide

OPTIONS	
F1 (X)	Fusing
PH ²	Protective Hull
V2 ³	12" External Visor

BALLAST TYPE	
1	HPF regulated PLA

VOLTAGE	
5	480V
8	Quad-Tap® (120, 208, 240, 277V)
6	Tri-Tap (120, 277, 347)
E	220/240V, 50 Hz.

1. Replace "X" with 2-208V; 3-240V; 4-277V; 5-480V; 6-347V.
2. Hull adds 4lbs. to total weight, shipped separately.
3. Shipped separately.

Comments	
----------	---