

Infranor™ PARA-II

AP2

SPORTSLIGHTING

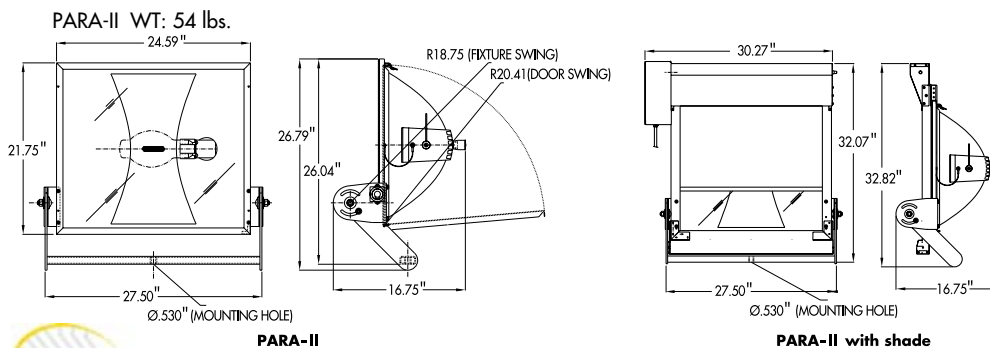


- The leading sports lighting luminaire in the market, the Para II, has two separate patents covering its unique design
- The most powerful arena luminaire available – 79.7% total efficiency
- Rectangular beam patterns engineered to fit the rectangular surfaces of basketball, hockey and other sporting events
- Patented Arc Stream Aligner for clean, precise lighting design
- Advanced lamp support system keeps end of lamp from “sagging” while holding lamp in design center
- Motorized shade option provides a time-tested, reliable method for providing “instant on/off” capabilities, theatrical effects for player introductions, half time shows, special effects and other scenarios
- Horizontal and vertical protractors for easy aiming
- Tool-free rear access for re-lamping leaves aiming angles undisturbed and maintenance personnel safely on the catwalk
- Can be double stacked with other arena luminaires when space is limited
- UL listed

ORDERING INFORMATION

AP2	-	1000MH	-		-		-		-	
SERIES	WATTAGE/SOURCE	BEAM PATTERN	VOLTAGE	ACCESSORIES	FINISH					
AP2 PARA-II ^{1,3}	1000MH 1000 watt MH ^{4,5}	RN Narrow RM Medium	120 120V 208 208V 240 240V 277 277V	SH Motorized Shade FS Fail Safe ²	BK Black AL Aluminum					

- 1 Above logic is for reference only, contact factory for assistance with any arena specification.
- 2 Recommended when motorized shade is ordered.
- 3 Lamps and safety cable included.
- 4 Potted ballasts included.
- 5 Ballasts are remote mounted on mounting system (see page 712)



APPLICATIONS

On occasion architectural space dictates that a lower mounting height be used for the lighting of arenas. The 655 has a wider beam spread that is ideal for lower mounting heights and provides a more uniform distribution without sacrificing efficiency.

FEATURES

- Two different beam spreads for all lighting applications
- Tool-less rear lamp access leaves aiming angles undisturbed, reducing maintenance costs

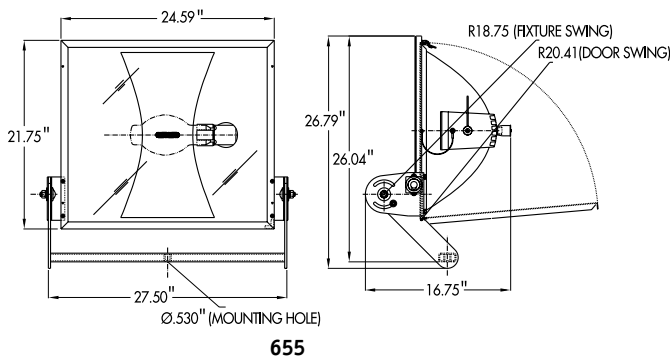
- Installs on standard luminaire mounting system
- Can be double stacked with the other arena luminaires when space is limited
- Heavy-duty, lightweight, die-cast aluminum housing
- Provides the high efficiency and superb optical design available with all Infranor products
- UL listed



ORDERING INFORMATION

655	-	1000MH	-	□	-	□	-	□	-	□
SERIES		WATTAGE/SOURCE		BEAM PATTERN		VOLTAGE		ACCESSORIES		FINISH
655 ^{1,3}		1000MH 1000 watt MH ^{4,5}		RN Narrow RM Medium		120 120V 208 208V 240 240V 277 277V		SH Motorized Shade FS Fail Safe ²		BK Black AL Aluminum

- 1 Above logic is for reference only, contact factory for assistance with any arena specification.
- 2 Recommended when motorized shade is ordered.
- 3 Lamps and safety cable included.
- 4 Potted ballasts included.
- 5 Ballasts are remote mounted on mounting system (see page 712)





APPLICATIONS

Spectators need light to find their seats and read their programs. The ASL utilizes a 900W quartz lamp that can be easily dimmed to adjust to any seating lighting levels

FEATURES

- Three different beam spreads for all seating lighting applications
- Tool-less rear lamp access leaves aiming angles undisturbed, reducing maintenance costs

- Installs on standard luminaire mounting system
- Can be double stacked when space is limited
- Heavy-duty, lightweight, die-cast aluminum housing
- Provides the high efficiency and superb optical design available with all Infranor products
- UL listed

ORDERING INFORMATION

ASL	-	900Q	-		-	YK	-	BK
SERIES		WATTAGE/SOURCE		BEAM PATTERN		MOUNT		FINISH
ASL Seating luminaire ¹		900Q 900 watt quartz ²		RN Narrow RM Medium RW Wide		YK Yoke		BK Black

1 ASL includes safety cable.

2 900Q lamp is available in 240,277V ONLY, sold separately.

AP2, 655 and ASL Mounting systems

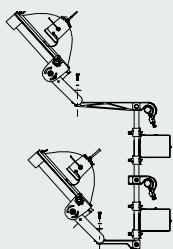
Our luminaire mounting system is solid, substantial and has been engineered to fit virtually any round pipe railing system. In fact, it is so unique and easy to use it has been patented.

- Easy to install – simply place the brackets over the pipe railing, slip through the U-channel and tighten the bolts
- Ballast box mounts directly to the bracket system, allowing for easy access by maintenance personnel
- Allows for double stacking of luminaires when minimal catwalk space is available

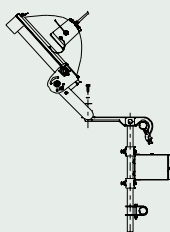
- Pre-drilled to accept all Sterner arena luminaires
- Cast-iron bracket system supports up to 900 lbs.

Mounting Option	Finish
DSMB - Double Sports Mount Bracket	BK
SSMB - Single Sports Mount Bracket	BK
SQMB - Sport Quartz Mount Bracket	BK
DQMB - Double Quartz Mount Bracket	BK
QMB - Single Quartz Mount Bracket	BK

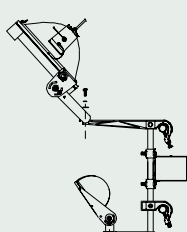
Other mounting arrangements available - consult factory



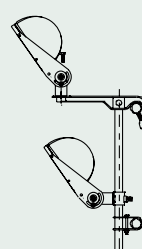
DSMB – Double sports mounting bracket



SSMB – Single Sports Mounting Bracket



SQMB – Sport and Quartz Mounting Bracket



DQMB – Double Quartz Mounting Bracket



QMB – Single Quartz Mounting Bracket