

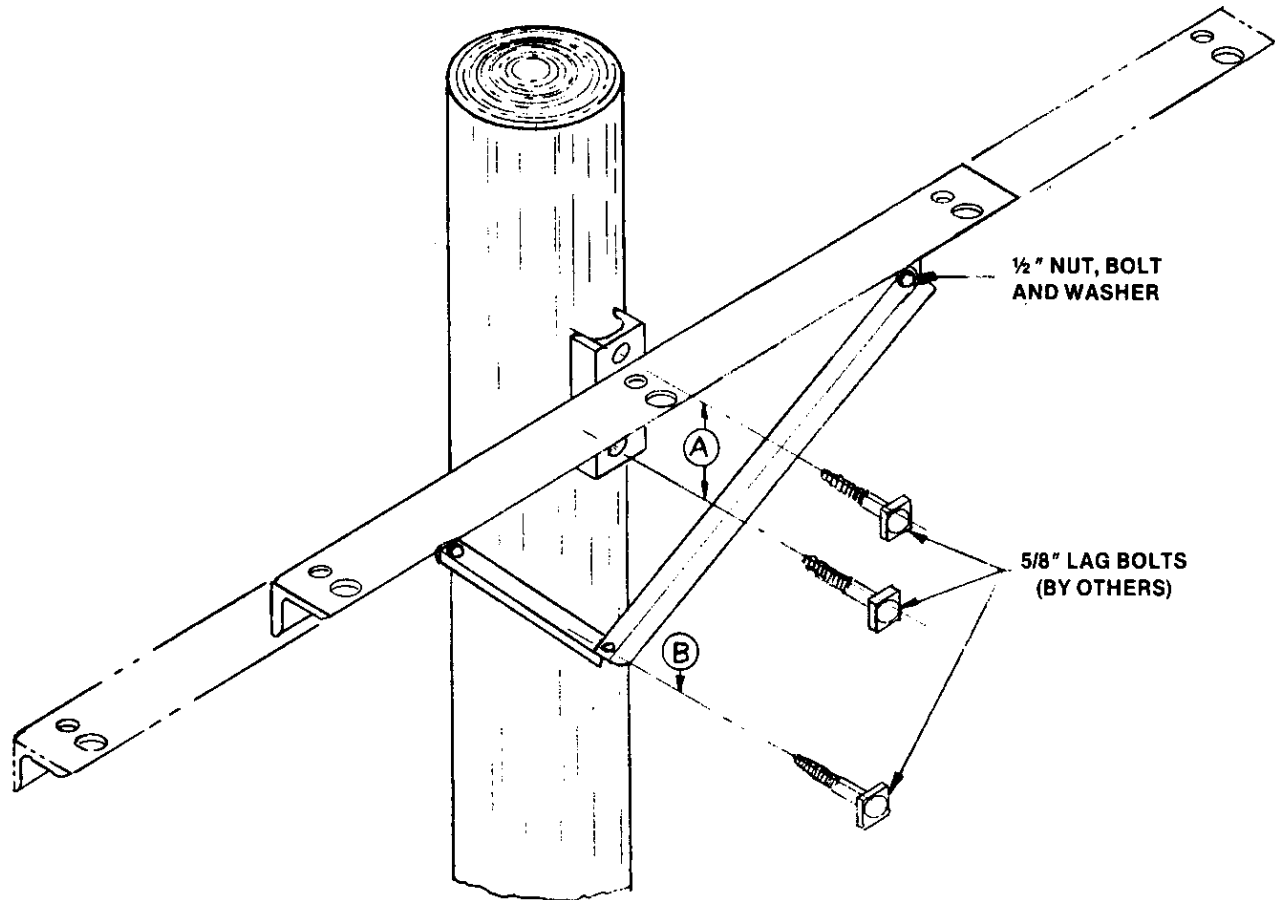
# INSTALLATION INSTRUCTION FOR TCA-W2, -W3, & -W4 BRACKETS

## TCA-W2

1. Orient the crossarm bracket on the wood pole and simply secure the structure using 5/8" diameter lag screws (by others) thru mounting holes (A).

## TCA-W3 & TCA -W4

1. Follow step 1 above.
2. Attach the support braces to the crossarm using the 1/2" bolts, nuts and washers as shown. Fasten the braces to the wood pole with a 5/8" diameter lag screw (by others) thru mounting hole (B).



268-0261-9906  
REV. A



Hubbell Lighting, Inc.  
A Subsidiary of Hubbell Incorporated  
2000 Electric Way  
Christiansburg, VA 24073-2500  
(703) 382-6111  
FAX (703) 382-1526

ORIGINAL DRAWING