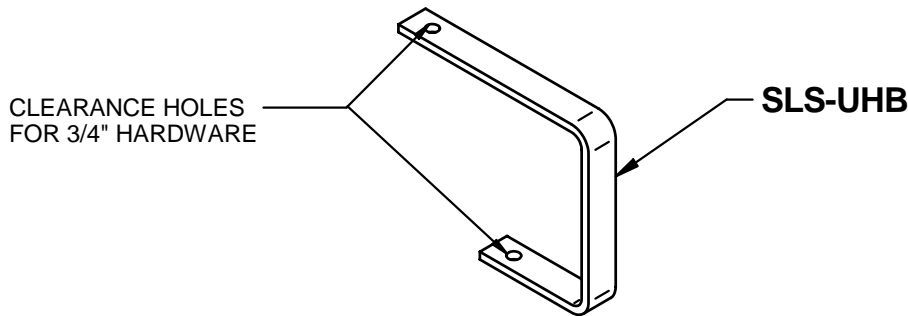


# SLS-UHB

## Hubbell SLS Series Mounting Bracket

Refer to the instruction sheet included with the SLS luminaire for warnings and assembly instructions of the luminaire.

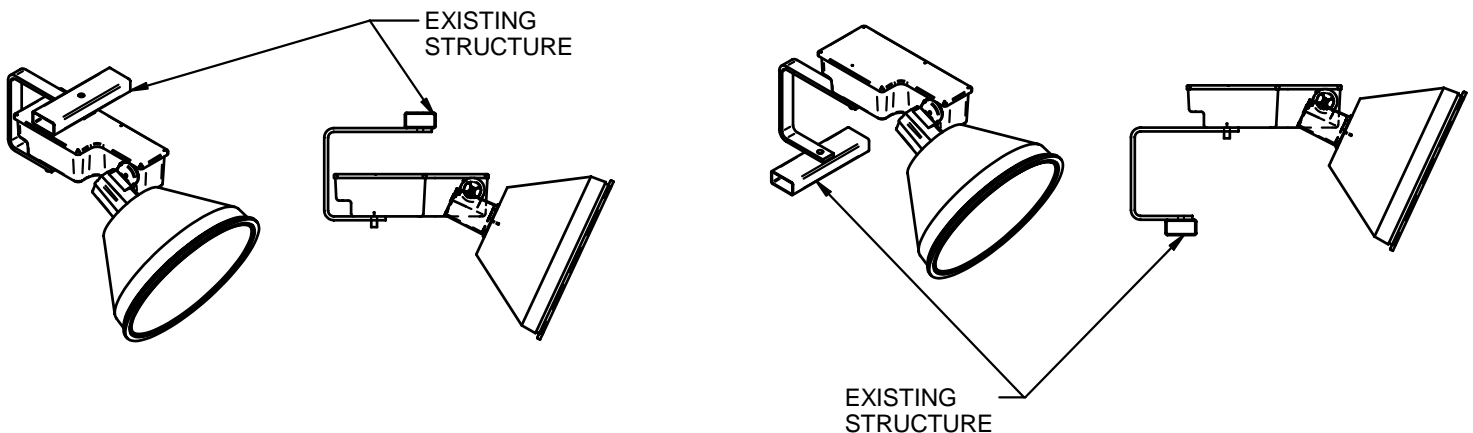
**Warnings!** The SLS-UHB is designed for the mounting of the SLS Series Luminaire only. The SLS-UHB is provided with two (2) holes for 3/4" mounting bolts. The SLS luminaire is provided with mounting hardware. All other mounting hardware is not supplied by Hubbell Lighting, Inc. Hubbell Lighting is not responsible for the suitability of the structure the SLS-UHB is attached to or the means of attachment of the bracket to the structure.



### Luminaire Attachment:

The SLS Luminaire can be attached in either of the holes in the SLS-UHB bracket.

The bracket can be attached either above or below the mounting structure as desired.



### Luminaire Aiming:

Refer to the instruction sheet provided with the SLS Luminaire for horizontal and vertical aiming instructions.



® Hubbell Lighting Inc.  
101 Corporate Dr.  
Spartanburg, SC 29303  
(864) 599-6000  
FAX (864) 327-3293

93006048