

**DANGER: DISCONNECT A.C. POWER SOURCE BEFORE INSTALLING OR SERVICING FIXTURE!**

TOOLS REQUIRED FOR INSTALLATION:

1. RACHET WRENCH WITH 3/4" SOCKET.
2. RACHET WRENCH WITH 7/16" SOCKET.

**STEP #1**

- ① MOUNT YOKE TO CAST ARM WITH 1/2-13 BOLT, SPLIT WASHER AND FLAT WASHER FROM TOP.

**STEP #2**

- ② LOCATE STAR WASHER BETWEEN YOKE AND CAST BRACKET. ADJUST HORIZONTAL AIMING USING SUPPLIED PROTRACTOR AND TIGHTEN BOLT. PROTRACTOR IS HELD TO YOKE MAGNETICALLY. CENTER HOLE AROUND WASHER.

**STEP #3**

- ③ ADJUST VERTICAL AIMING ANGLE BY VIEWING PROTRACTOR MOUNTED ON SIDE OF BRACKET.

**STEP #4**

- ④ TIGHTEN 1/2" NUT ON EACH SIDE OF FLOODLIGHT AS WELL AS 1/4" BOLT ON EACH SIDE.

**STEP #5**

- ⑤ CONNECT SECONDARY LAMP CORD TO BALLAST.

**STEP #6**

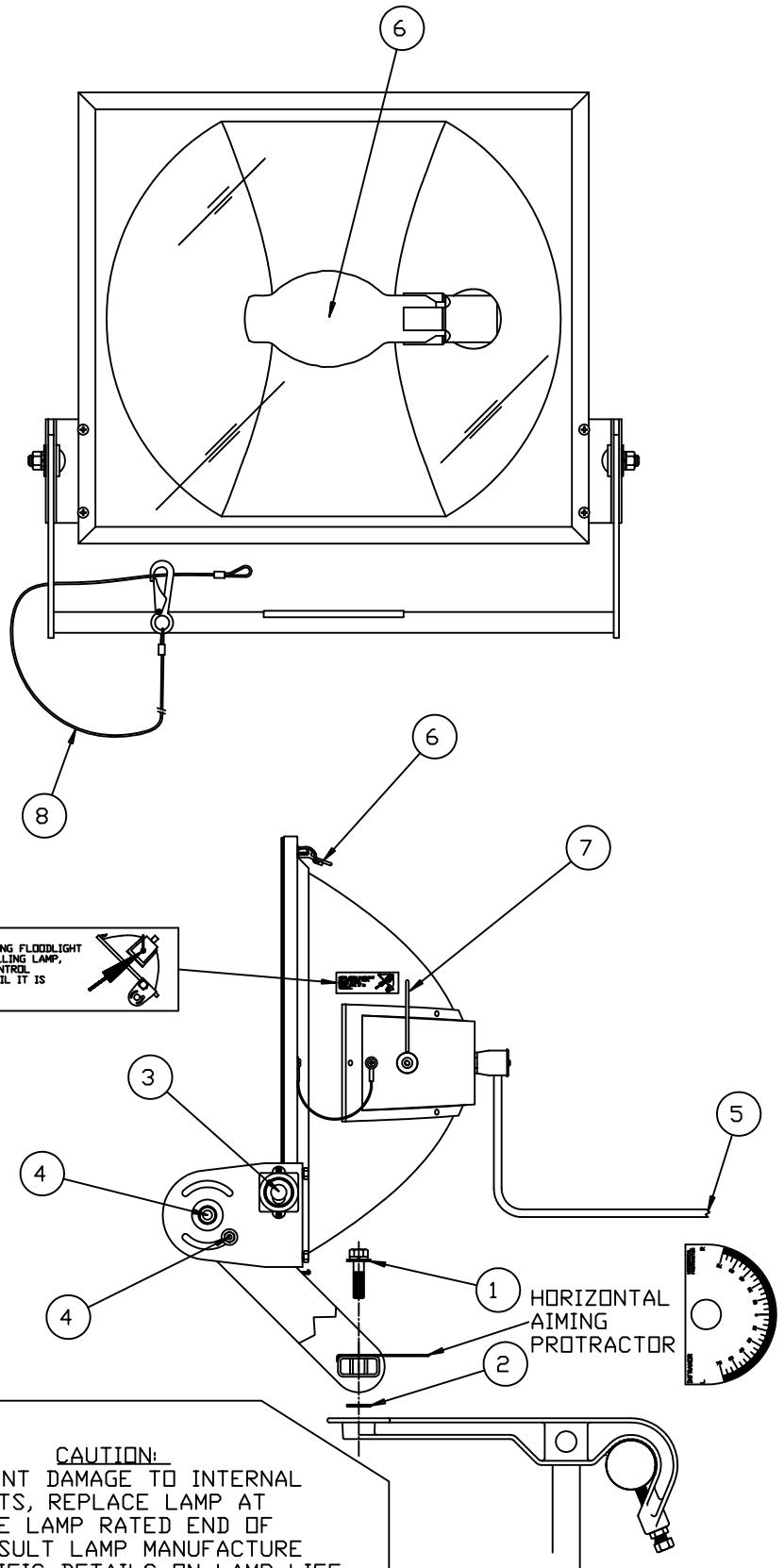
- ⑥ INSTALL LAMP BY TRIPING (2) REFLECTOR LATCHES AT TOP OF REFLECTOR, HINGING REFLECTOR BACK TOWARD CATWALK AND SCREWING LAMP INTO SOCKET. REPLACE REFLECTOR AND RELATCH.

**STEP #7**

- ⑦ ADJUST ARC-STREAM ALIGNER BY ROTATING LEVER SO THAT THE LEVER POINTS STRAIGHT UP TOWARDS THE CEILING.

**STEP #8**

- ⑧ INSTALL SAFETY CABLE TO POSITIVE CATWALK STRUCTURE. REMOVE ALL SLACK IF POSSIBLE.



**CAUTION**

FIXTURE CONTAINS SILICONE AND EPDM GASKETS. CLEANING THE GLASS & FIXTURE SURFACES WITH STRONG CHEMICALS MAY DAMAGE THE GASKETS AND OR PAINT. USE CAUTION, FLUSH AND CLEAN WITH CLEAN WATER AFTER CLEANING WITH CHEMICALS.

**CAUTION:**

TO PREVENT DAMAGE TO INTERNAL COMPONENTS, REPLACE LAMP AT OR BEFORE LAMP RATED END OF LIFE. CONSULT LAMP MANUFACTURE FOR SPECIFIC DETAILS ON LAMP LIFE AND RELAMPING RECOMMENDATIONS.