

DANGER: DISCONNECT A.C. POWER SOURCE BEFORE INSTALLING OR SERVICING FIXTURE!

TOOLS REQUIRED FOR INSTALLATION:

1. RACKET WRENCH WITH 3/4" SOCKET.
2. RACKET WRENCH WITH 9/16 SOCKET.
3. RACKET WRENCH WITH 7/16" SOCKET.

STEP #1

- ① MOUNT YOKE TO CAST ARM WITH 1/2-13 BOLT, SPLIT WASHER AND FLAT WASHER FROM TOP.

STEP #2

- ② LOCATE STAR WASHER BETWEEN YOKE AND CAST BRACKET. ADJUST HORIZONTAL AIMING AND TIGHTEN BOLT.

STEP #3

- ③ ADJUST VERTICAL AIMING ANGLE, THEN TIGHTEN 3/8" NUT ON EACH SIDE OF FLOODLIGHT.

STEP #4

- ④ TIGHTEN 1/4" BOLT ON EACH SIDE.

STEP #5

- ⑤ CONNECT TO POWER SOURCE EITHER BY DIRECT CONNECT OR SUPPLIED TWIST-LOCK PLUG.

STEP #6

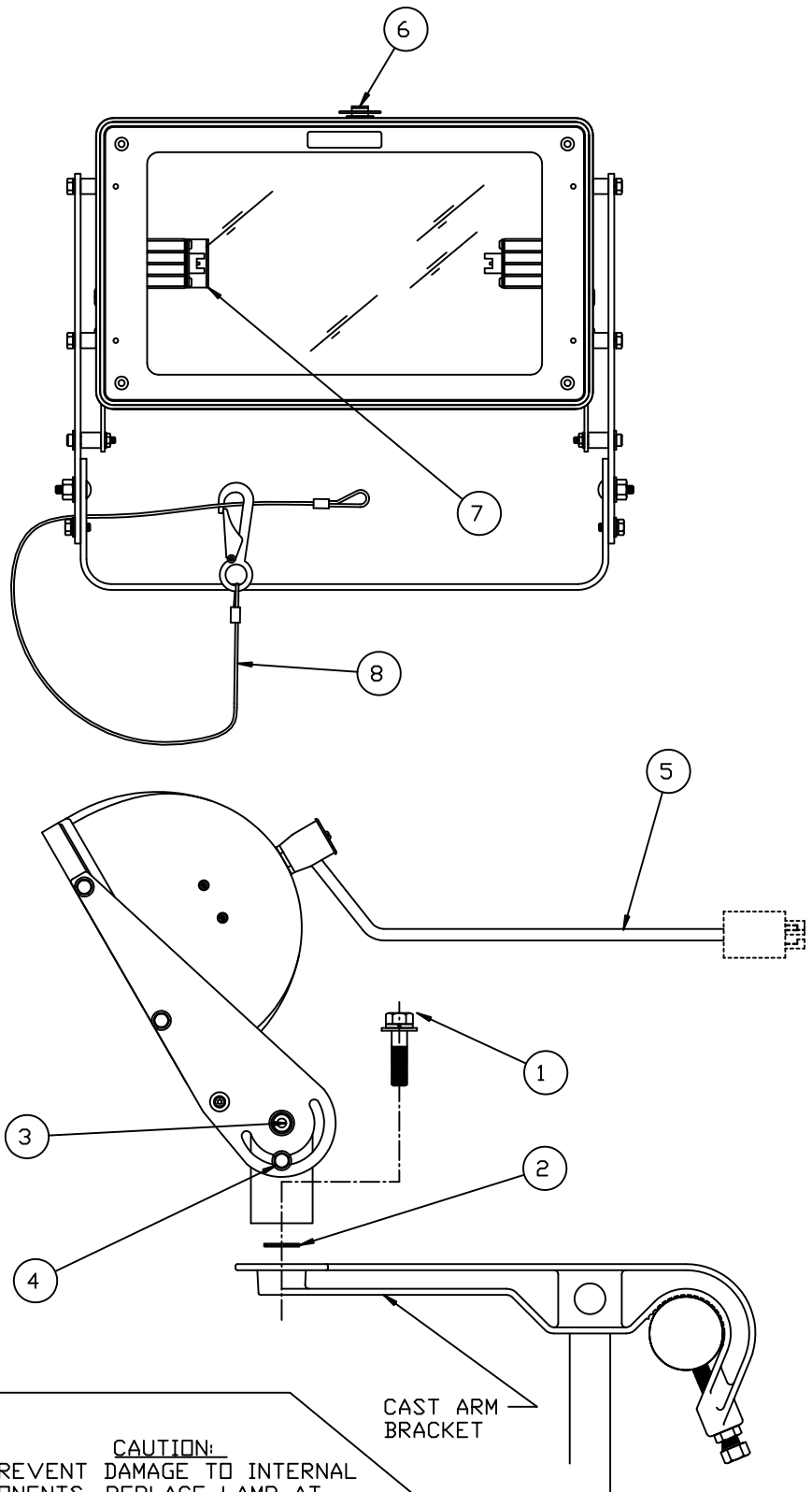
- ⑥ INSTALL LAMP BY TRIPPING (1) DOOR LATCH AT TOP OF HOUSING, HINGING HOUSING BACK TOWARD CATWALK AND INSERTING.....

STEP #7

- ⑦ LAMP END INTO THIS SOCKET FIRST THEN THE OTHER END. HINGE BACK DOOR AND RELATCH.

STEP #8

- ⑧ INSTALL SAFTEY CABLE TO POSITIVE CATWALK STRUCTURE. REMOVE ALL SLACK IF POSSIBLE.



CAUTION
FIXTURE CONTAINS SILICONE AND EPDM GASKETS. CLEANING THE GLASS & FIXTURE SURFACES WITH STRONG CHEMICALS MAY DAMAGE THE GASKETS AND OR PAINT. USE CAUTION, FLUSH AND CLEAN WITH CLEAN WATER AFTER CLEANING WITH CHEMICALS.

CAUTION:
TO PREVENT DAMAGE TO INTERNAL COMPONENTS, REPLACE LAMP AT OR BEFORE LAMP RATED END OF LIFE. CONSULT LAMP MANUFACTURE FOR SPECIFIC DETAILS ON LAMP LIFE AND RELAMPING RECOMMENDATIONS.