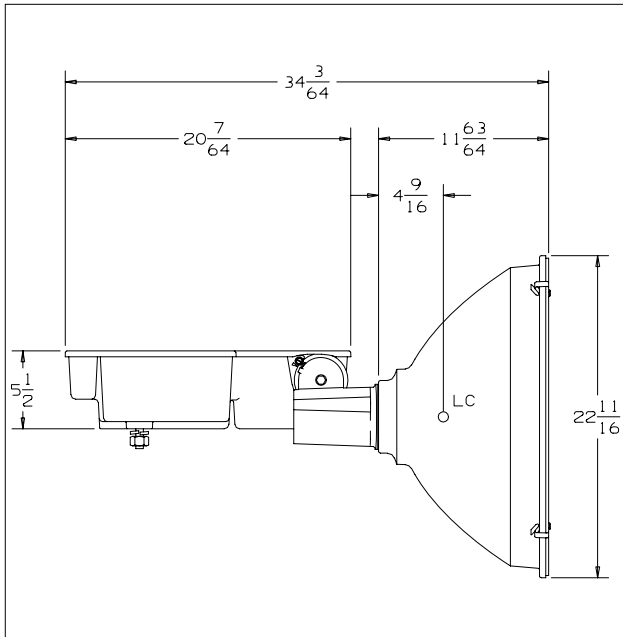




7- 8-2004

CAT NO.: SLS-1500Hx-x5x
TEST NUMBER: HP-09820

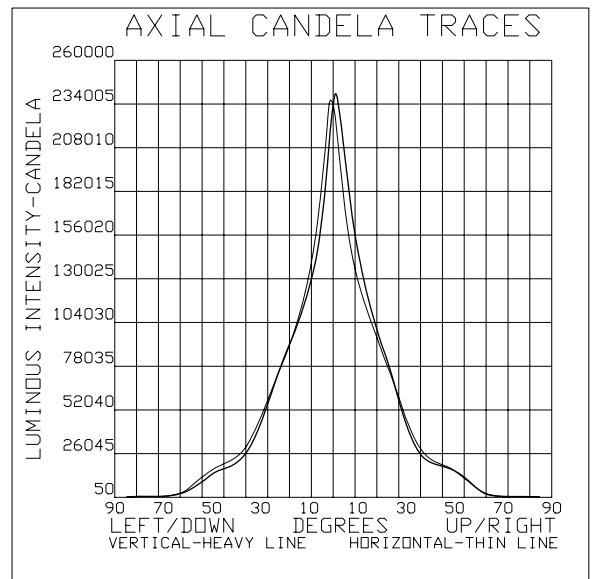


COVER GLASS: CLEAR, PLAIN, FLAT
REFLECTOR SHAPE: FRONT: AS SPUN NEMA 5, REAR: AS SPUN NEMA 5
MATERIAL: ALUMINUM, ALLOY: 1100, FINISH: DIFFUSE
REFLECTANCE: TOTAL: 82.6%, SPECULAR: 62.2%

LAMP DATA
DESIGNATION: MVR1500USPORTS
SOURCE: HALIDE ARC
LUMEN REFERENCE: 170000.
BULB: BT56, CLEAR
VOLTAGE: 288. volts
POWER: 1500. watts

LIGHT CENTER LENGTH: 9.5 INCHES
BASE: MOGUL SCREW
SOCKET SPACER: NONE

PERFORMANCE
TYPE: 5 H X 5 V
MAXIMUM CANDELA: 243951
LOCUS OF MAX. CD: -0.7H X 0.8V
AVERAGE OF 10 HIGHEST: 217337
BEAM SPREAD (AT 50% MAX. CD): DEG. HORIZONTAL: 23.4, DEG. VERTICAL: 24.3
BEAM LUMENS: 22473
BEAM EFFICIENCY: 13.2%
FIELD SPREAD (AT 10% MAX. CD): DEG. HORIZONTAL: 79.2, DEG. VERTICAL: 74.1
FIELD LUMENS: 91762
FIELD EFFICIENCY: 54.0%
SPILL LIGHT LUMENS: 29235
TOTAL LUMENS: 120997
TOTAL EFFICIENCY: 71.2%
TEST DISTANCE: 60.0



SPECIAL CONDITIONS:
CURRENT PRODUCTION (6/2004) REFLECTOR WITH BRIGHT DIP

Accredited by the National Voluntary Laboratory Accreditation Program for specific scope of accreditation under Lab code 200020-0, test code 22/F03. Tested in accordance with IESNA standard LM-35-2002. This report shall not be reproduced except in full, without the written approval of Hubbell Lighting's Manager of Certification and testing.

Tested By: R. E. Horan, M. I. E. S.

Approved By: Mawn J. Rhodes