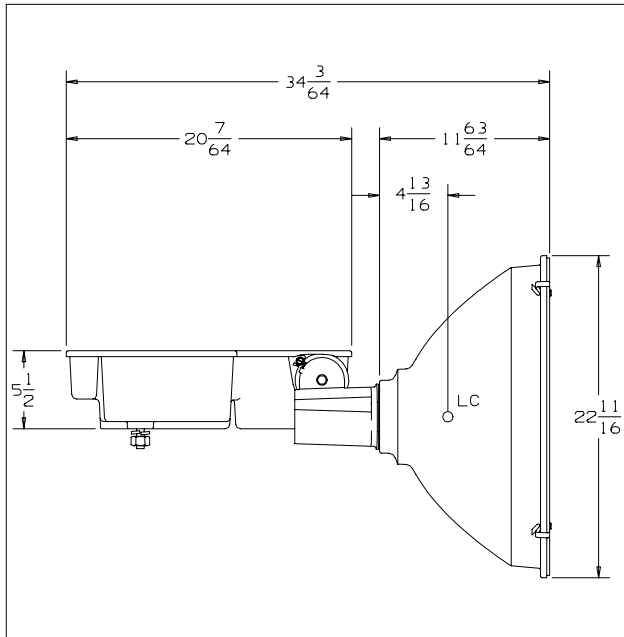




11-23-2004

CAT NO.: SLS-1500Hx-x4x
TEST NUMBER: HP-10030

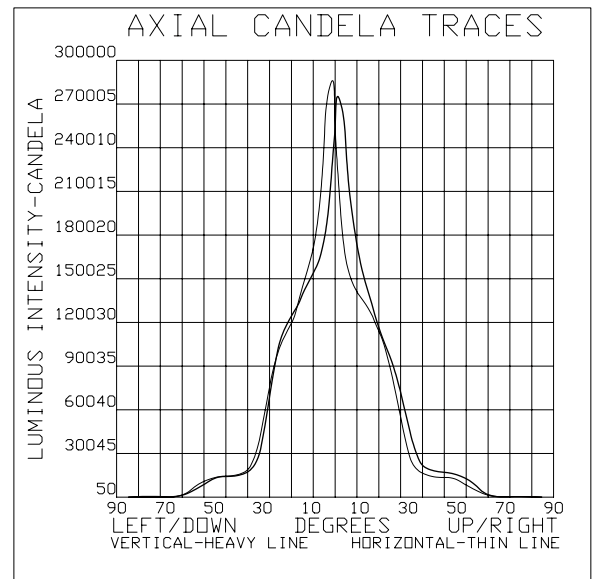


COVER GLASS: CLEAR, PLAIN, FLAT
REFLECTOR SHAPE
FRONT: AS SPUN NEMA 4
REAR: AS SPUN NEMA 4
MATERIAL: ALUMINUM
ALLOY: 3002
FINISH: SPECULAR
REFLECTANCE
TOTAL: 81.1%
SPECULAR: 80.7%

LAMP DATA
DESIGNATION: MVR1500USPORTS
SOURCE: HALIDE ARC
LUMEN REFERENCE: 170000.
BULB: BT56, CLEAR
VOLTAGE: 290. volts
POWER: 1500. watts

LIGHT CENTER LENGTH: 9.5 INCHES
BASE: MOGUL SCREW
SOCKET SPACER: 0.25 INCH

PERFORMANCE
TYPE: 4 H X 4 V
MAXIMUM CANDELA: 355236
LOCUS OF MAX. CD -1.9H X 1.7V
AVERAGE OF 10 HIGHEST: 266370
BEAM SPREAD (AT 50% MAX. CD)
DEG. HORIZONTAL: 13.9
DEG. VERTICAL: 13.2
BEAM LUMENS: 8782
BEAM EFFICIENCY: 5.2%
FIELD SPREAD (AT 10% MAX. CD)
DEG. HORIZONTAL: 62.4
DEG. VERTICAL: 63.6
FIELD LUMENS: 95988
FIELD EFFICIENCY: 56.5%
SPILL LIGHT LUMENS: 33404
TOTAL LUMENS: 129392
TOTAL EFFICIENCY: 76.1%
TEST DISTANCE: 60.0



SPECIAL CONDITIONS:
CURRENT PRODUCTION (7/2004) REFLECTOR, 1/4" SOCKET SPACER; RETEST OF

Accredited by the National Voluntary Laboratory Accreditation Program for specific scope of accreditation under Lab code 200020-0, test code 22/F03. Tested in accordance with IESNA standard LM-35-2002. This report shall not be reproduced except in full, without the written approval of Hubbell Lighting's Manager of Certification and testing.

Tested By: R. E. Horan, M. I. E. S.

Approved By: Mawn J. Rhodes