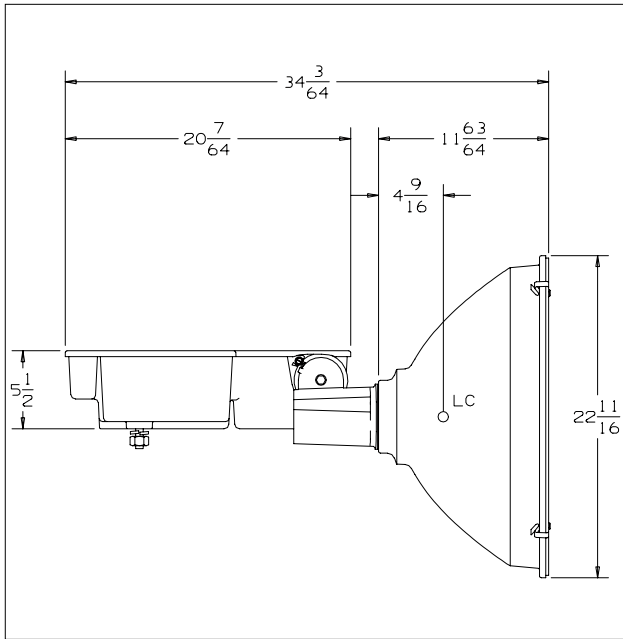




7-20-2004

CAT NO.: SLS-1500Hx-x3x
TEST NUMBER: HP-09844

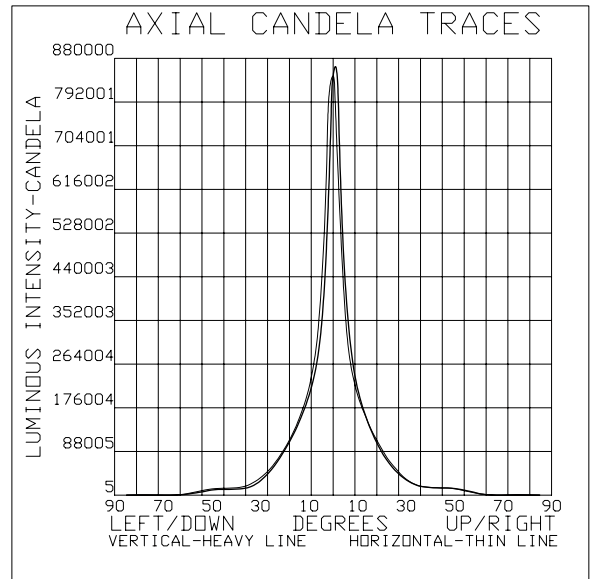


COVER GLASS: CLEAR, PLAIN, FLAT
REFLECTOR SHAPE: FRONT: AS SPUN NEMA 3, REAR: AS SPUN NEMA 3
MATERIAL: ALUMINUM, ALLOY: 3002, FINISH: SPECULAR
REFLECTANCE: TOTAL: N/A, SPECULAR: N/A

LAMP DATA
DESIGNATION: MVR1500USPORTS
SOURCE: HALIDE ARC
LUMEN REFERENCE: 170000.
BULB: BT56, CLEAR
VOLTAGE: 288. volts
POWER: 1500. watts

LIGHT CENTER LENGTH: 9.5 INCHES
BASE: MOGUL SCREW
SOCKET SPACER: NONE

PERFORMANCE
TYPE: 3 H X 3 V
MAXIMUM CANDELA: 872358
LOCUS OF MAX. CD: -0.6H X 0.6V
AVERAGE OF 10 HIGHEST: 649593
BEAM SPREAD (AT 50% MAX. CD): DEG. HORIZONTAL: 9.1, DEG. VERTICAL: 8.5
BEAM LUMENS: 10257
BEAM EFFICIENCY: 6.0%
FIELD SPREAD (AT 10% MAX. CD): DEG. HORIZONTAL: 41.7, DEG. VERTICAL: 40.5
FIELD LUMENS: 72670
FIELD EFFICIENCY: 42.7%
SPILL LIGHT LUMENS: 54789
TOTAL LUMENS: 127459
TOTAL EFFICIENCY: 75.0%
TEST DISTANCE: 60.0



SPECIAL CONDITIONS:
CURRENT PRODUCTION (7/2004) REFLECTOR

Accredited by the National Voluntary Laboratory Accreditation Program for specific scope of accreditation under Lab code 200020-0, test code 22/F03. Tested in accordance with IESNA standard LM-35-2002. This report shall not be reproduced except in full, without the written approval of Hubbell Lighting's Manager of Certification and testing.

Tested By: R. E. Horan, M. I. E. S.

Approved By: Mawn J. Rhodes