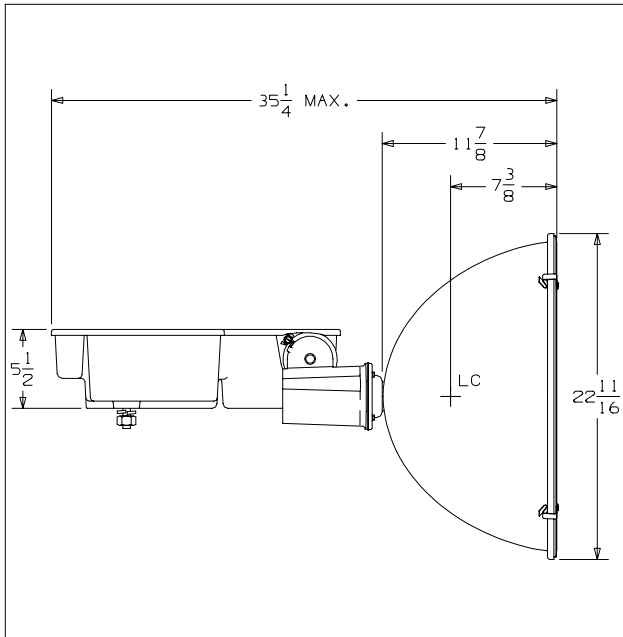




10-19-2004

CAT NO.: SLS-1500H-xWx
TEST NUMBER: HP-09994

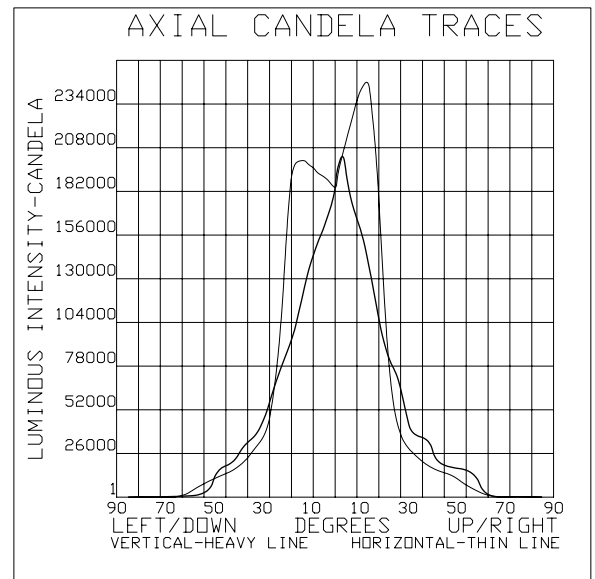


COVER GLASS: CLEAR, PLAIN, FLAT
REFLECTOR SHAPE: FRONT: WIDE PARABOLIC, REAR: WIDE PARABOLIC
MATERIAL: ALUMINUM, ALLOY: 3002, FINISH: BRIGHT DIP
REFLECTANCE: TOTAL: 80.0%, SPECULAR: 79.7%

LAMP DATA
DESIGNATION: MVR1500USPORTS
SOURCE: HALIDE ARC
LUMEN REFERENCE: 162000.
BULB: BT56, CLEAR
VOLTAGE: 288. volts
POWER: 1500. watts

LIGHT CENTER LENGTH: 9.5 INCHES
BASE: MOGUL SCREW
SOCKET SPACER: 0.88 INCH

PERFORMANCE
TYPE: 4 H X 5 V
MAXIMUM CANDELA: 256392
LOCUS OF MAX. CD 12.8H X 1.0V
AVERAGE OF 10 HIGHEST: 238571
BEAM SPREAD (AT 50% MAX. CD)
DEG. HORIZONTAL: 42.9
DEG. VERTICAL: 27.3
BEAM LUMENS: 46947
BEAM EFFICIENCY: 29.0%
FIELD SPREAD (AT 10% MAX. CD)
DEG. HORIZONTAL: 67.9
DEG. VERTICAL: 80.8
FIELD LUMENS: 103971
FIELD EFFICIENCY: 64.2%
SPILL LIGHT LUMENS: 24362
TOTAL LUMENS: 128333
TOTAL EFFICIENCY: 79.2%
TEST DISTANCE: 60.0



SPECIAL CONDITIONS:
CURRENT PRODUCTION REFLECTOR (8/2004)

Accredited by the National Voluntary Laboratory Accreditation Program for specific scope of accreditation under Lab code 200020-0, test code 22/F03. Tested in accordance with IESNA standard LM-35-2002. This report shall not be reproduced except in full, without the written approval of Hubbell Lighting's Manager of Certification and testing.

Tested By: R. E. Horan, M. I. E. S.

Approved By: Mawm J. Rhodes