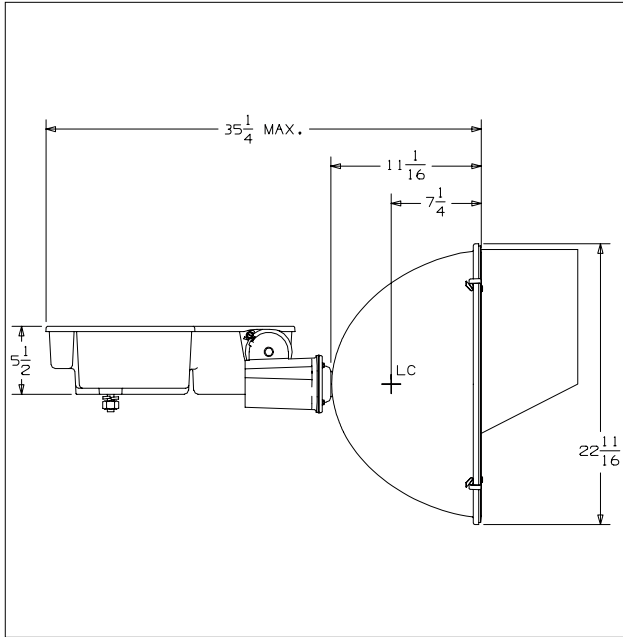




8-13-2004

CAT NO.: SLS1500HxxNxSGV2
TEST NUMBER: HP-09888

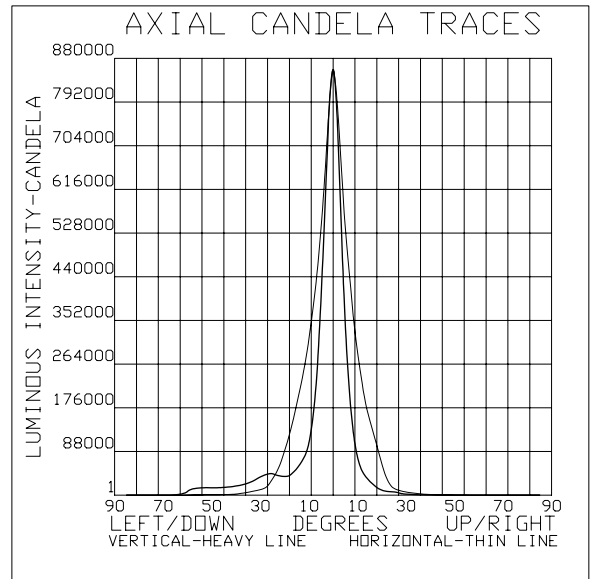


COVER GLASS: CLEAR, PLAIN, FLAT
REFLECTOR SHAPE: FRONT: NARROW PARABOLIC, REAR: NARROW PARABOLIC
MATERIAL: ALUMINUM, ALLOY: 3002, FINISH: SPECULAR
REFLECTANCE: TOTAL: 81.0%, SPECULAR: 81.6%

LAMP DATA
DESIGNATION: MVR1500USPORTS
SOURCE: HALIDE ARC
LUMEN REFERENCE: 162000.
BULB: BT56, CLEAR
VOLTAGE: 290. volts
POWER: 1500. watts

LIGHT CENTER LENGTH: 9.5 INCHES
BASE: MOGUL SCREW
SOCKET SPACER: 0.125 INCH

PERFORMANCE
TYPE: 3 H X 2 V
MAXIMUM CANDELA: 860510
LOCUS OF MAX. CD: -0.3H X -0.2V
AVERAGE OF 10 HIGHEST: 704379
BEAM SPREAD (AT 50% MAX. CD): DEG. HORIZONTAL: 14.2, DEG. VERTICAL: 9.1
BEAM LUMENS: 17233
BEAM EFFICIENCY: 10.6%
FIELD SPREAD (AT 10% MAX. CD): DEG. HORIZONTAL: 39.9, DEG. VERTICAL: 21.1
FIELD LUMENS: 49108
FIELD EFFICIENCY: 30.3%
SPILL LIGHT LUMENS: 34271
TOTAL LUMENS: 83380
TOTAL EFFICIENCY: 51.5%
TEST DISTANCE: 60.0



SPECIAL CONDITIONS: NARROW FLOODLIGHT, RECENT PROD. SAMP. REFL.(7/04), WITH GLARE CONTROL,

Accredited by the National Voluntary Laboratory Accreditation Program for specific scope of accreditation under Lab code 200020-0, test code 22/F03. Tested in accordance with IESNA standard LM-35-2002. This report shall not be reproduced except in full, without the written approval of Hubbell Lighting's Manager of Certification and testing.

Tested By: R. E. Horan, M. I. E. S.

Approved By: Mawn J. Rhodes