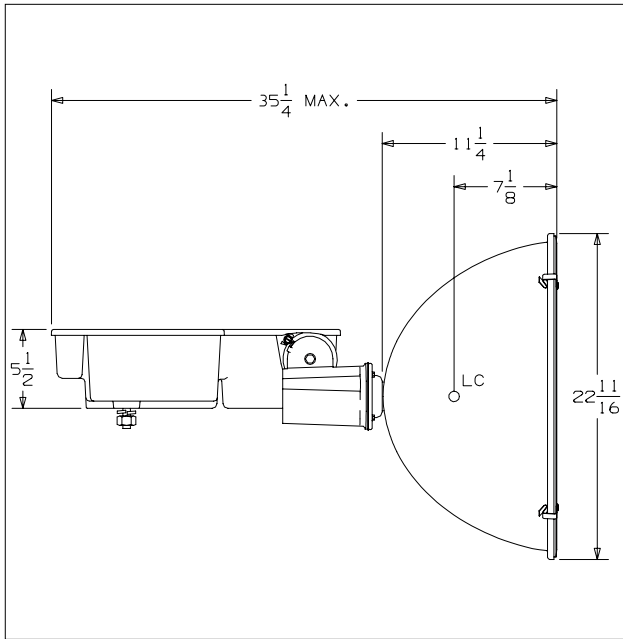




8-18-2004

CAT NO.: SLS1500Hx-xMx
TEST NUMBER: HP-09891

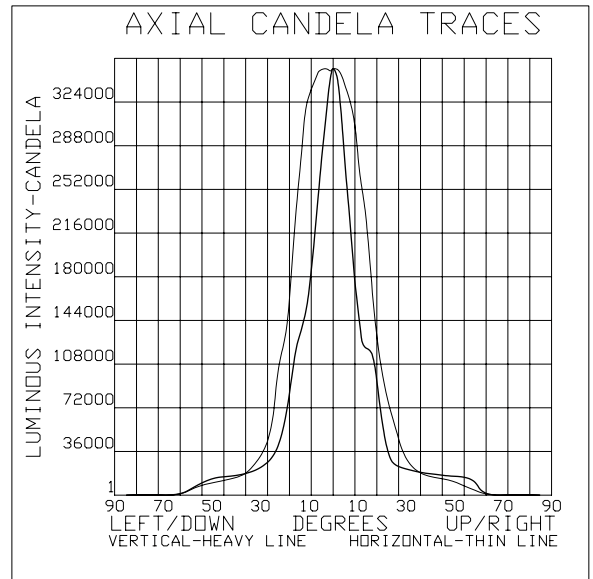


COVER GLASS: CLEAR, PLAIN, FLAT
REFLECTOR SHAPE: FRONT: MEDIUM PARABOLIC, REAR: MEDIUM PARABOLIC
MATERIAL: ALUMINUM, ALLOY: 3002, FINISH: SEMI-SPECULAR
REFLECTANCE: TOTAL: 81.0%, SPECULAR: 79.4%

LAMP DATA
DESIGNATION: MVR1500USPORTS
SOURCE: HALIDE ARC
LUMEN REFERENCE: 162000.
BULB: BT56, CLEAR
VOLTAGE: 287. volts
POWER: 1500. watts

LIGHT CENTER LENGTH: 9.5 INCHES
BASE: MOGUL SCREW
SOCKET SPACER: NONE

PERFORMANCE
TYPE: 4 H X 4 V
MAXIMUM CANDELA: 358546
LOCUS OF MAX. CD: -1.8H X 0.0V
AVERAGE OF 10 HIGHEST: 346727
BEAM SPREAD (AT 50% MAX. CD): DEG. HORIZONTAL: 33.2, DEG. VERTICAL: 18.6
BEAM LUMENS: 41436
BEAM EFFICIENCY: 25.6%
FIELD SPREAD (AT 10% MAX. CD): DEG. HORIZONTAL: 58.1, DEG. VERTICAL: 46.8
FIELD LUMENS: 77782
FIELD EFFICIENCY: 48.0%
SPILL LIGHT LUMENS: 38758
TOTAL LUMENS: 116540
TOTAL EFFICIENCY: 71.9%
TEST DISTANCE: 60.0



SPECIAL CONDITIONS: MEDIUM FLOODLIGHT, RECENT PRODUCTION SAMPLE REFLECTOR (7/04)

Accredited by the National Voluntary Laboratory Accreditation Program for specific scope of accreditation under Lab code 200020-0, test code 22/F03. Tested in accordance with IESNA standard LM-35-2002. This report shall not be reproduced except in full, without the written approval of Hubbell Lighting's Manager of Certification and testing.

Tested By: R. E. Horan, M. I. E. S.

Approved By: Mawn J. Rhodes