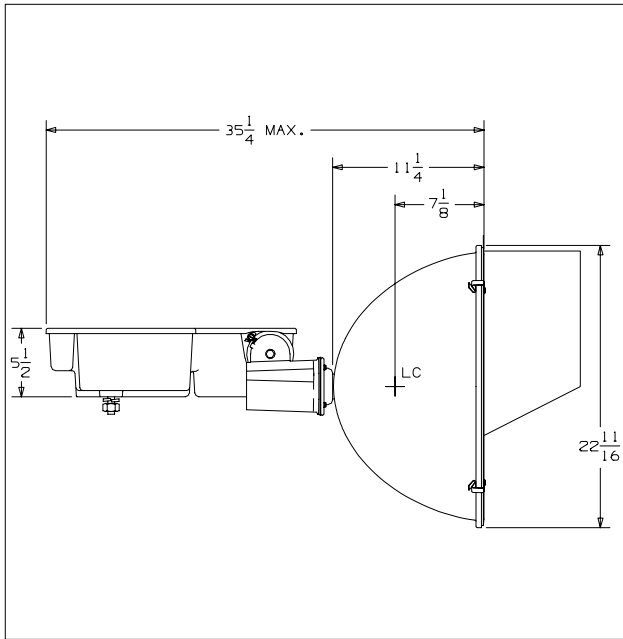




8-19-2004

CAT NO.: SLS1500HxxMxSGV2  
TEST NUMBER: HP-09893

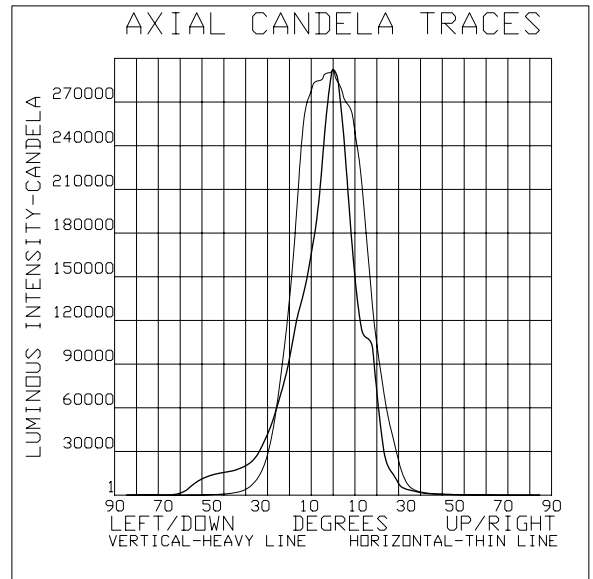


COVER GLASS: CLEAR, PLAIN, FLAT  
REFLECTOR  
SHAPE  
FRONT: MEDIUM PARABOLIC  
REAR: MEDIUM PARABOLIC  
MATERIAL: ALUMINUM  
ALLOY: 3002  
FINISH: SEMI-SPECULAR  
REFLECTANCE  
TOTAL: 81.0%  
SPECULAR: 79.4%

\* \* \* \* LAMP DATA \* \* \* \*  
DESIGNATION: MVR1500USPORTS  
SOURCE: HALIDE ARC  
LUMEN REFERENCE: 162000.  
BULB: BT56, CLEAR  
VOLTAGE: 287. volts  
POWER: 1500. watts

LIGHT CENTER LENGTH: 9.5 INCHES  
BASE: MOGUL SCREW  
SOCKET SPACER: NONE

\* \* \* \* PERFORMANCE \* \* \* \*  
TYPE: 4 H X 4 V  
MAXIMUM CANDELA: 301179  
LOCUS OF MAX. CD -1.2H X 0.3V  
AVERAGE OF 10 HIGHEST: 283705  
BEAM SPREAD (AT 50% MAX. CD)  
DEG. HORIZONTAL: 32.5  
DEG. VERTICAL: 20.5  
BEAM LUMENS: 37260  
BEAM EFFICIENCY: 23.0%  
FIELD SPREAD (AT 10% MAX. CD)  
DEG. HORIZONTAL: 53.1  
DEG. VERTICAL: 52.2  
FIELD LUMENS: 68038  
FIELD EFFICIENCY: 42.0%  
SPILL LIGHT LUMENS: 18215  
TOTAL LUMENS: 86252  
TOTAL EFFICIENCY: 53.2%  
TEST DISTANCE: 60.0



SPECIAL CONDITIONS:  
MEDIUM FLOODLIGHT, RECENT PROD. SAMP. REFL.(7/04), WITH GLARE CONTROL,

← Accredited by the National Voluntary Laboratory Accreditation Program for specific scope of accreditation under Lab code 200020-0, test code 22/F03. Tested in accordance with IESNA standard LM-35-2002. This report shall not be reproduced except in full, without the written approval of Hubbell Lighting's Manager of Certification and testing. This NVLAP logo does not imply endorsement by NVLAP or any agency of the U. S. Government and this account must not be used to claim such endorsement.

Tested By: R. E. Horan, M. I. E. S.

Approved By: Mawm J. Rhodes