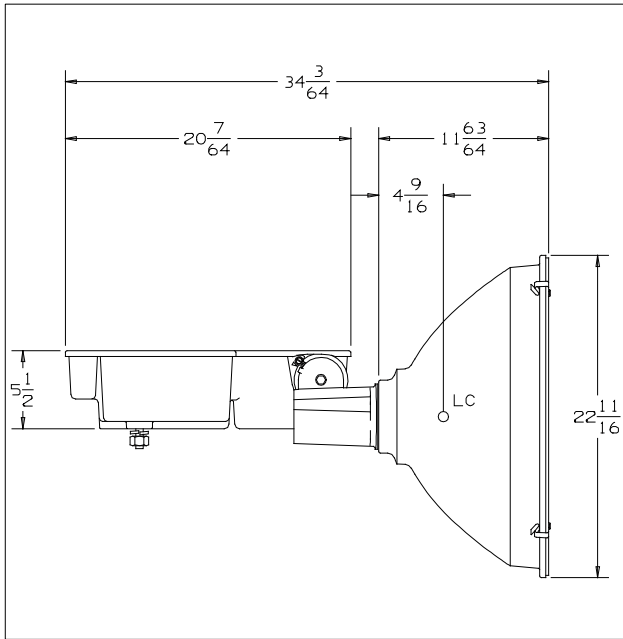




7- 1-2004

CAT NO.: SLS-1500Hx-x6x
TEST NUMBER: HP-09803



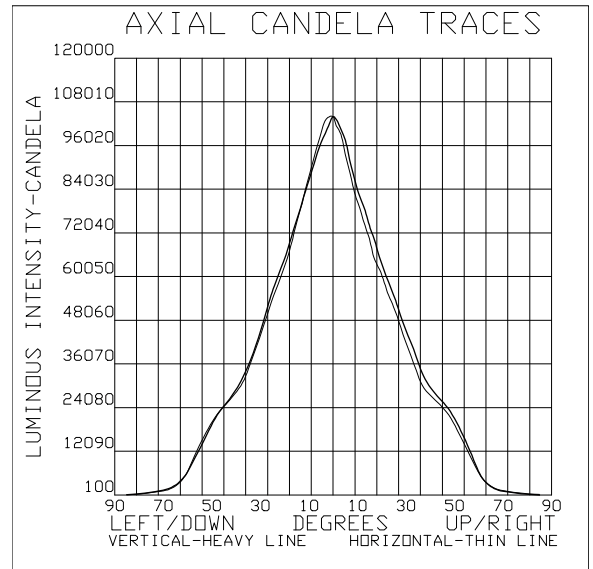
COVER GLASS: CLEAR, PLAIN, FLAT
REFLECTOR
SHAPE
FRONT: AS SPUN NEMA 6
REAR: AS SPUN NEMA 6
MATERIAL: ALUMINUM
ALLOY: 1100
FINISH: DIFFUSE
REFLECTANCE
TOTAL: 85.5%
SPECULAR: 40.0%

*** LAMP DATA ***
DESIGNATION: MVR1500USPORTS
SOURCE: HALIDE ARC
LUMEN REFERENCE: 170000.
BULB: BT56, CLEAR
VOLTAGE: 285. volts
POWER: 1500. watts

LIGHT CENTER LENGTH: 9.5 INCHES
BASE: MOGUL SCREW
SOCKET SPACER: NONE

*** PERFORMANCE ***
TYPE: 6 H X 6 V
MAXIMUM CANDELA: 105764
LOCUS OF MAX. CD -1.0H X -0.1V
AVERAGE OF 10 HIGHEST: 101490
BEAM SPREAD (AT 50% MAX. CD)
DEG. HORIZONTAL: 49.9
DEG. VERTICAL: 52.5
BEAM LUMENS: 42640
BEAM EFFICIENCY: 25.1%
FIELD SPREAD (AT 10% MAX. CD)
DEG. HORIZONTAL: 115.0
DEG. VERTICAL: 115.3
FIELD LUMENS: 102867
FIELD EFFICIENCY: 60.5%
SPILL LIGHT LUMENS: 6460
TOTAL LUMENS: 109327
TOTAL EFFICIENCY: 64.3%
TEST DISTANCE: 60.0

aa



SPECIAL CONDITIONS:
CURRENT PRODUCTION (6/2004) REFLECTOR

← Accredited by the National Voluntary Laboratory Accreditation Program for specific scope of accreditation under Lab code 200020-0, test code 22/F03. Tested in accordance with IESNA standard LM-35-2002. This report shall not be reproduced except in full, without the written approval of Hubbell Lighting's Manager of Certification and testing. This NVLAP logo does not imply endorsement by NVLAP or any agency of the U. S. Government and this account must not be used to claim such endorsement.

Tested By: R. E. Horan, M. I. E. S.

Approved By: Mawn J. Rhodes