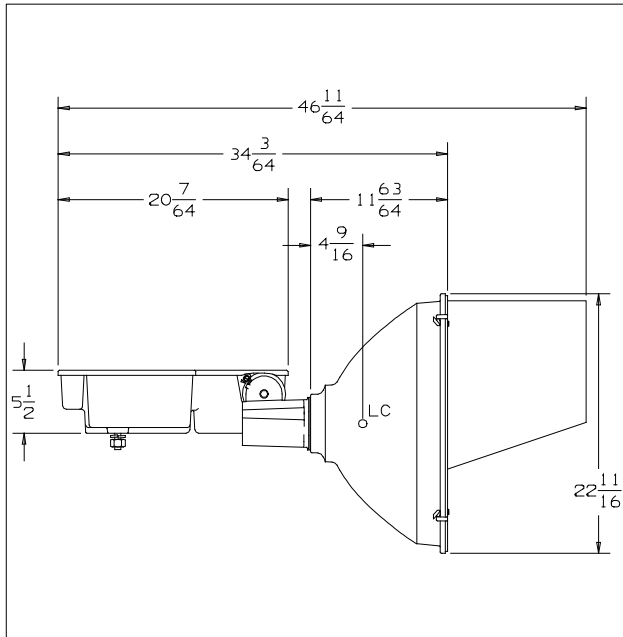




7- 2-2004

CAT NO.: SLS1500Hx-x6x-V2
TEST NUMBER: HP-09804

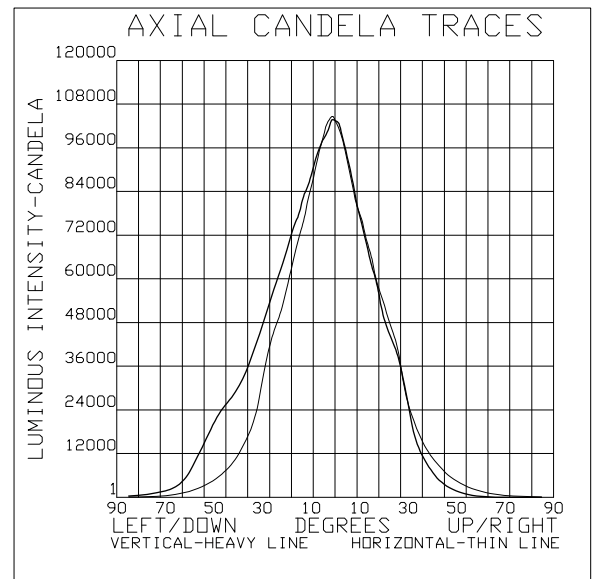


COVER GLASS: CLEAR, PLAIN, FLAT
REFLECTOR SHAPE
FRONT: AS SPUN NEMA 6
REAR: AS SPUN NEMA 6
MATERIAL: ALUMINUM
ALLOY: 1100
FINISH: DIFFUSE
REFLECTANCE
TOTAL: 85.5%
SPECULAR: 40.0%

LAMP DATA
DESIGNATION: MVR1500USPORTS
SOURCE: HALIDE ARC
LUMEN REFERENCE: 170000.
BULB: BT56, CLEAR
VOLTAGE: 285. volts
POWER: 1500. watts

LIGHT CENTER LENGTH: 9.5 INCHES
BASE: MOGUL SCREW
SOCKET SPACER: NONE

PERFORMANCE
TYPE: 5 H X 5 V
MAXIMUM CANDELA: 105764
LOCUS OF MAX. CD -1.5H X 0.2V
AVERAGE OF 10 HIGHEST: 101798
BEAM SPREAD (AT 50% MAX. CD)
DEG. HORIZONTAL: 44.2
DEG. VERTICAL: 46.3
BEAM LUMENS: 33314
BEAM EFFICIENCY: 19.6%
FIELD SPREAD (AT 10% MAX. CD)
DEG. HORIZONTAL: 98.2
DEG. VERTICAL: 94.6
FIELD LUMENS: 73957
FIELD EFFICIENCY: 43.5%
SPILL LIGHT LUMENS: 7041
TOTAL LUMENS: 80997
TOTAL EFFICIENCY: 47.6%
TEST DISTANCE: 60.0



SPECIAL CONDITIONS:
CURRENT PRODUCTION (6/2004) REFLECTOR WITH 12" DEEP BLACK VISOR

Accredited by the National Voluntary Laboratory Accreditation Program for specific scope of accreditation under Lab code 200020-0, test code 22/F03. Tested in accordance with IESNA standard LM-35-2002. This report shall not be reproduced except in full, without the written approval of Hubbell Lighting's Manager of Certification and testing.

Tested By: R. E. Horan, M. I. E. S.

Approved By: Mawm J. Rhodes