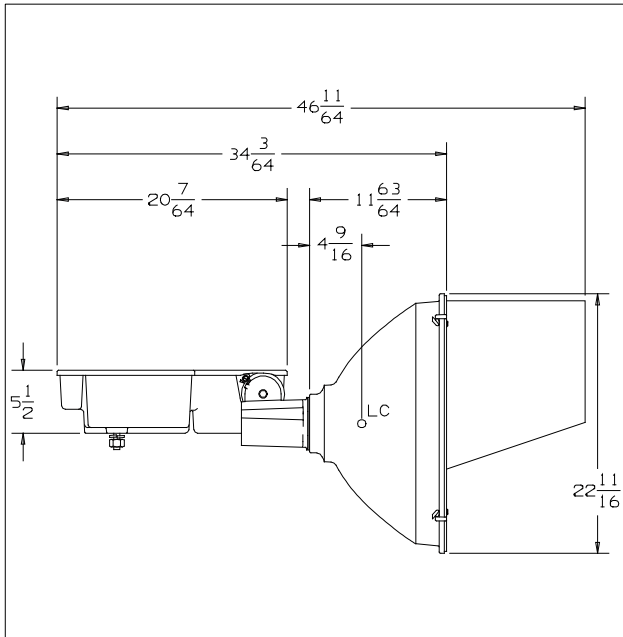




7- 8-2004

CAT NO.: SLS1500Hx-x5x-V2
TEST NUMBER: HP-09821

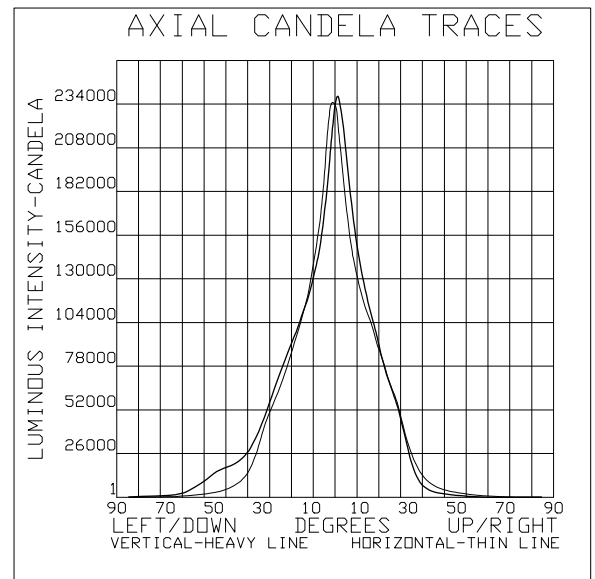


COVER GLASS: CLEAR, PLAIN, FLAT
REFLECTOR SHAPE
FRONT: AS SPUN NEMA 5
REAR: AS SPUN NEMA 5
MATERIAL: ALUMINUM
ALLOY: 1100
FINISH: DIFFUSE
REFLECTANCE
TOTAL: 82.6%
SPECULAR: 62.2%

LAMP DATA
DESIGNATION: MVR1500USPORTS
SOURCE: HALIDE ARC
LUMEN REFERENCE: 170000.
BULB: BT56, CLEAR
VOLTAGE: 288. volts
POWER: 1500. watts

LIGHT CENTER LENGTH: 9.5 INCHES
BASE: MOGUL SCREW
SOCKET SPACER: NONE

PERFORMANCE
TYPE: 5 H X 4 V
MAXIMUM CANDELA: 242021
LOCUS OF MAX. CD -0.8H X 0.9V
AVERAGE OF 10 HIGHEST: 218581
BEAM SPREAD (AT 50% MAX. CD)
DEG. HORIZONTAL: 22.1
DEG. VERTICAL: 23.7
BEAM LUMENS: 20105
BEAM EFFICIENCY: 11.8%
FIELD SPREAD (AT 10% MAX. CD)
DEG. HORIZONTAL: 71.9
DEG. VERTICAL: 68.8
FIELD LUMENS: 80609
FIELD EFFICIENCY: 47.4%
SPILL LIGHT LUMENS: 17625
TOTAL LUMENS: 98234
TOTAL EFFICIENCY: 57.8%
TEST DISTANCE: 60.0



SPECIAL CONDITIONS:
CURRENT PRODUCTION (6/2004) REFLECTOR W/ BRIGHT DIP & WITH 12" DEEP

Accredited by the National Voluntary Laboratory Accreditation Program for specific scope of accreditation under Lab code 200020-0, test code 22/F03. Tested in accordance with IESNA standard LM-35-2002. This report shall not be reproduced except in full, without the written approval of Hubbell Lighting's Manager of Certification and testing. This NVLAP logo does not imply endorsement by NVLAP or any agency of the U. S. Government and this account must not be used to claim such endorsement.

Tested By: R. E. Horan, M. I. E. S.

Approved By: Mawn J. Rhodes