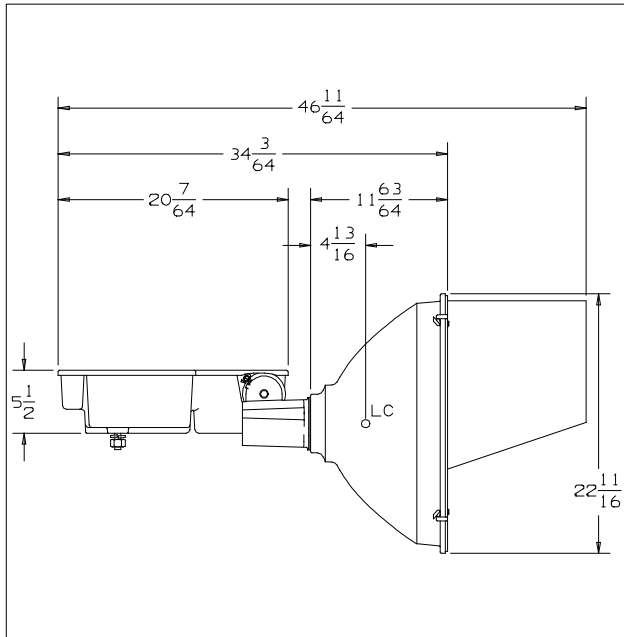




11-23-2004

CAT NO.: SLS1500Hx-x4x-V2
TEST NUMBER: HP-10029

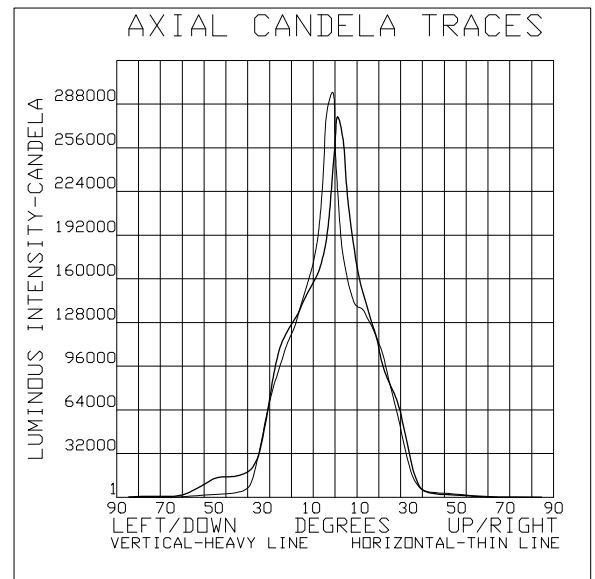


COVER GLASS: CLEAR, PLAIN, FLAT
REFLECTOR SHAPE
FRONT: AS SPUN NEMA 4
REAR: AS SPUN NEMA 4
MATERIAL: ALUMINUM
ALLOY: 3002
FINISH: SPECULAR
REFLECTANCE
TOTAL: 81.1%
SPECULAR: 80.7%

LAMP DATA
DESIGNATION: MVR1500USPORTS
SOURCE: HALIDE ARC
LUMEN REFERENCE: 170000.
BULB: BT56, CLEAR
VOLTAGE: 291. volts
POWER: 1500. watts

LIGHT CENTER LENGTH: 9.5 INCHES
BASE: MOGUL SCREW
SOCKET SPACER: 0.25 INCH

PERFORMANCE
TYPE: 4 H X 4 V
MAXIMUM CANDELA: 355236
LOCUS OF MAX. CD -1.9H X 1.7V
AVERAGE OF 10 HIGHEST: 269619
BEAM SPREAD (AT 50% MAX. CD)
DEG. HORIZONTAL: 13.7
DEG. VERTICAL: 13.1
BEAM LUMENS: 8801
BEAM EFFICIENCY: 5.2%
FIELD SPREAD (AT 10% MAX. CD)
DEG. HORIZONTAL: 60.6
DEG. VERTICAL: 61.8
FIELD LUMENS: 92098
FIELD EFFICIENCY: 54.2%
SPILL LIGHT LUMENS: 19559
TOTAL LUMENS: 111657
TOTAL EFFICIENCY: 65.7%
TEST DISTANCE: 60.0



SPECIAL CONDITIONS:
CURRENT PRODUCTION (7/2004) REFLECTOR, 1/4" SOCKET SPACER, 12" WIDE

Accredited by the National Voluntary Laboratory Accreditation Program for specific scope of accreditation under Lab code 200020-0, test code 22/F03. Tested in accordance with IESNA standard LM-35-2002. This report shall not be reproduced except in full, without the written approval of Hubbell Lighting's Manager of Certification and testing. This NVLAP logo does not imply endorsement by NVLAP or any agency of the U. S. Government and this account must not be used to claim such endorsement.

Tested By: R. E. Horan, M. I. E. S.

Approved By: Mawn J. Rhodes