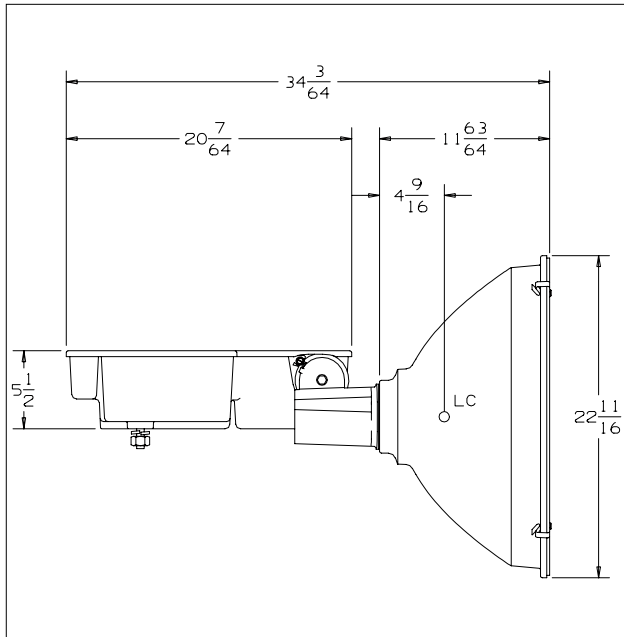




7-16-2004

CAT NO.: SLS-1500Hx-x2x
TEST NUMBER: HP-09842

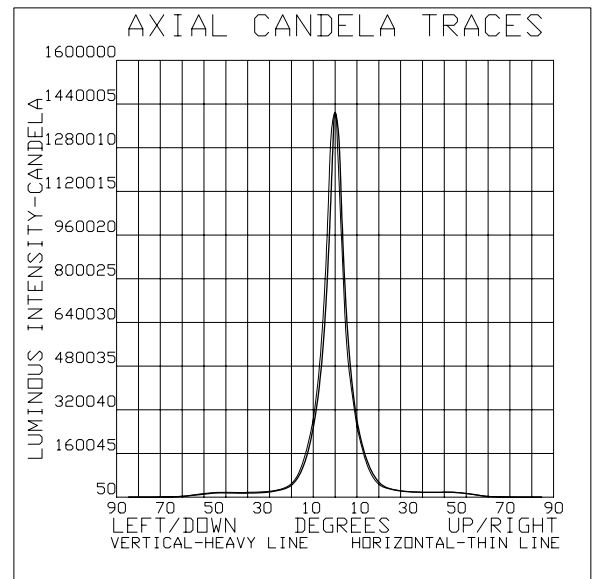


COVER GLASS: CLEAR, PLAIN, FLAT
REFLECTOR SHAPE: FRONT: AS SPUN NEMA 2, REAR: AS SPUN NEMA 2
MATERIAL: ALUMINUM, ALLOY: 3002, FINISH: SPECULAR
REFLECTANCE: TOTAL: 81.0%, SPECULAR: 79.8%

LAMP DATA
DESIGNATION: MVR1500USPORTS
SOURCE: HALIDE ARC
LUMEN REFERENCE: 170000.
BULB: BT56, CLEAR
VOLTAGE: 288. volts
POWER: 1500. watts

LIGHT CENTER LENGTH: 9.5 INCHES
BASE: MOGUL SCREW
SOCKET SPACER: NONE

PERFORMANCE
TYPE: 2 H X 2 V
MAXIMUM CANDELA: 1428196
LOCUS OF MAX. CD: -0.3H X 0.3V
AVERAGE OF 10 HIGHEST: 1051175
BEAM SPREAD (AT 50% MAX. CD): DEG. HORIZONTAL: 8.6, DEG. VERTICAL: 8.4
BEAM LUMENS: 16592
BEAM EFFICIENCY: 9.8%
FIELD SPREAD (AT 10% MAX. CD): DEG. HORIZONTAL: 25.1, DEG. VERTICAL: 25.0
FIELD LUMENS: 55211
FIELD EFFICIENCY: 32.5%
SPILL LIGHT LUMENS: 66107
TOTAL LUMENS: 121319
TOTAL EFFICIENCY: 71.4%
TEST DISTANCE: 60.0



SPECIAL CONDITIONS:
CURRENT PRODUCTION (7/2004) REFLECTOR

Accredited by the National Voluntary Laboratory Accreditation Program for specific scope of accreditation under Lab code 200020-0, test code 22/F03. Tested in accordance with IESNA standard LM-35-2002. This report shall not be reproduced except in full, without the written approval of Hubbell Lighting's Manager of Certification and testing.

Tested By: R. E. Horan, M. I. E. S.

Approved By: Mawn J. Rhodes