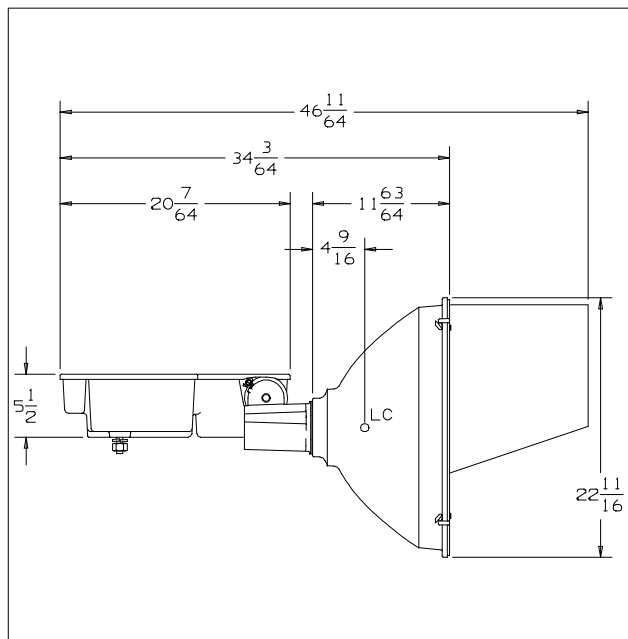




7-19-2004

CAT NO.: SLS1500Hx-x2x-V2
TEST NUMBER: HP-09843

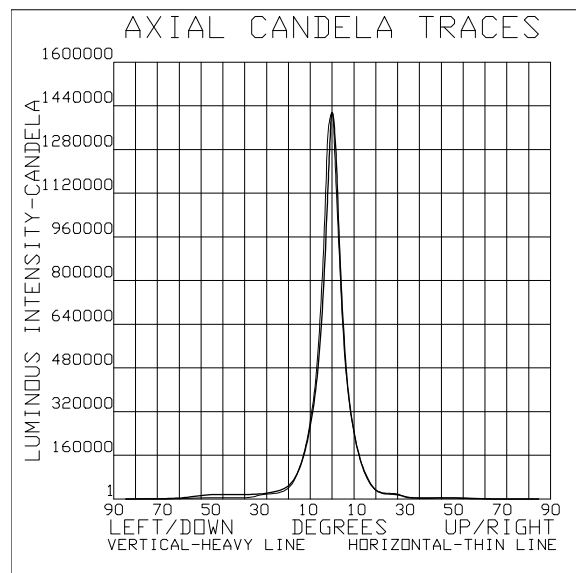


COVER GLASS: CLEAR, PLAIN, FLAT
REFLECTOR
SHAPE
FRONT: AS SPUN NEMA 2
REAR: AS SPUN NEMA 2
MATERIAL: ALUMINUM
ALLOY: 3002
FINISH: SPECULAR
REFLECTANCE
TOTAL: 81.0%
SPECULAR: 79.8%

*** LAMP DATA ***
DESIGNATION: MVR1500USPORTS
SOURCE: HALIDE ARC
LUMEN REFERENCE: 170000.
BULB: BT56, CLEAR
VOLTAGE: 288. volts
POWER: 1500. watts

LIGHT CENTER LENGTH: 9.5 INCHES
BASE: MOGUL SCREW
SOCKET SPACER: NONE

*** PERFORMANCE ***
TYPE: 2 H X 2 V
MAXIMUM CANDELA: 1432056
LOCUS OF MAX. CD -0.3H X 0.3V
AVERAGE OF 10 HIGHEST: 1052627
BEAM SPREAD (AT 50% MAX. CD)
DEG. HORIZONTAL: 8.7
DEG. VERTICAL: 8.3
BEAM LUMENS: 16621
BEAM EFFICIENCY: 9.8%
FIELD SPREAD (AT 10% MAX. CD)
DEG. HORIZONTAL: 24.3
DEG. VERTICAL: 24.1
FIELD LUMENS: 53460
FIELD EFFICIENCY: 31.4%
SPILL LIGHT LUMENS: 45737
TOTAL LUMENS: 99197
TOTAL EFFICIENCY: 58.4%
TEST DISTANCE: 60.0



SPECIAL CONDITIONS:
CURRENT PRODUCTION (7/2004) REFLECTOR WITH 12" DEEP BLACK VISOR

← Accredited by the National Voluntary Laboratory Accreditation Program for specific scope of accreditation under Lab code 200020-0, test code 22/F03. Tested in accordance with IESNA standard LM-35-2002. This report shall not be reproduced except in full, without the written approval of Hubbell Lighting's Manager of Certification and testing. This NVLAP logo does not imply endorsement by NVLAP or any agency of the U. S. Government and this account must not be used to claim such endorsement.

Tested By: R. E. Horan, M. I. E. S.

Approved By: Mawn J. Rhodes