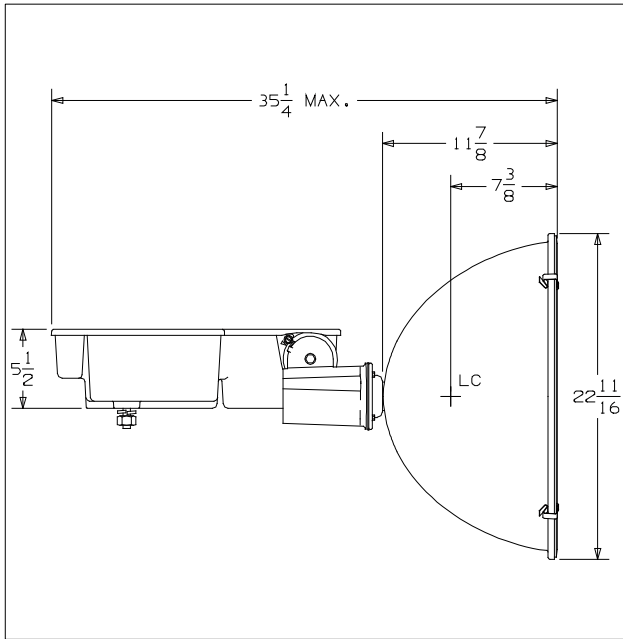




CAT NO.: SLS-1000H-xWx

TEST NUMBER: HP-10175A

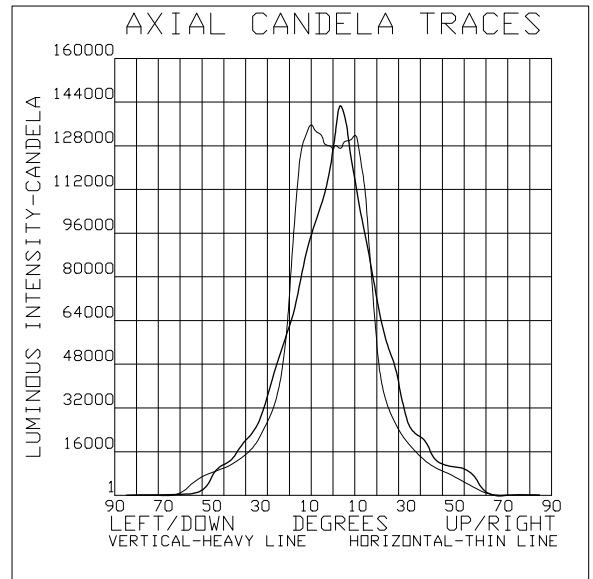


COVER GLASS: CLEAR, PLAIN, FLAT
REFLECTOR
SHAPE

FRONT: WIDE PARABOLIC
REAR: WIDE PARABOLIC
MATERIAL: ALUMINUM
ALLOY: 3002
FINISH: BRIGHT DIP
REFLECTANCE
TOTAL: 80.0%
SPECULAR: 79.7%

* * * * LAMP DATA * * * *
DESIGNATION: MVR1000/U
SOURCE: HALIDE ARC
LUMEN REFERENCE: 100280.
BULB: BT56, CLEAR
VOLTAGE: 253. volts
POWER: 1000. watts
LIGHT CENTER LENGTH: 9.5 INCHES
BASE: MOGUL SCREW
SOCKET SPACER: 0.88 INCH

* * * * PERFORMANCE * * * *
TYPE: 5 H X 5 V
MAXIMUM CANDELA: 150666
LOCUS OF MAX. CD 7.6H X 3.5V
AVERAGE OF 10 HIGHEST: 145278
BEAM SPREAD (AT 50% MAX. CD)
DEG. HORIZONTAL: 35.7
DEG. VERTICAL: 31.7
BEAM LUMENS: 29236
BEAM EFFICIENCY: 29.2%
FIELD SPREAD (AT 10% MAX. CD)
DEG. HORIZONTAL: 71.7
DEG. VERTICAL: 81.5
FIELD LUMENS: 64312
FIELD EFFICIENCY: 64.1%
SPILL LIGHT LUMENS: 14576
TOTAL LUMENS: 78888
TOTAL EFFICIENCY: 78.7%
TEST DISTANCE: 60.0



SPECIAL CONDITIONS:
CURRENT PRODUCTION REFLECTOR (8/2004)

Tested By: *R. E. Horan, M. I. E. S.*

Approved By: