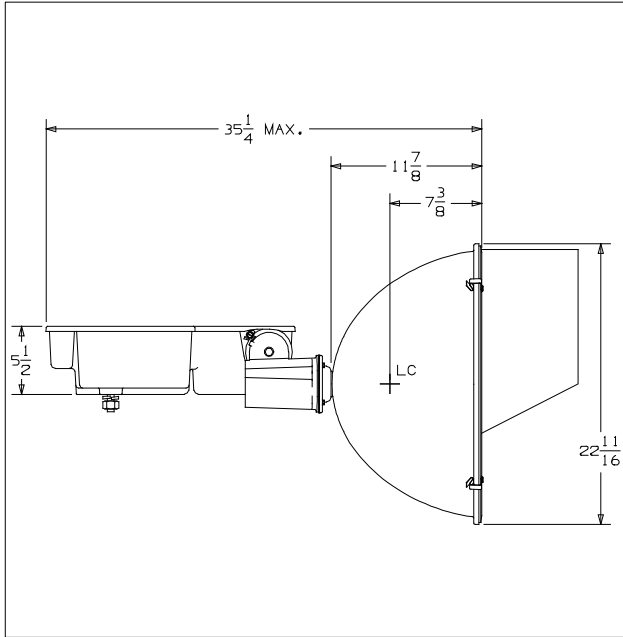




CAT NO.: SLS1000HxWx-V2

TEST NUMBER: HP-10173A

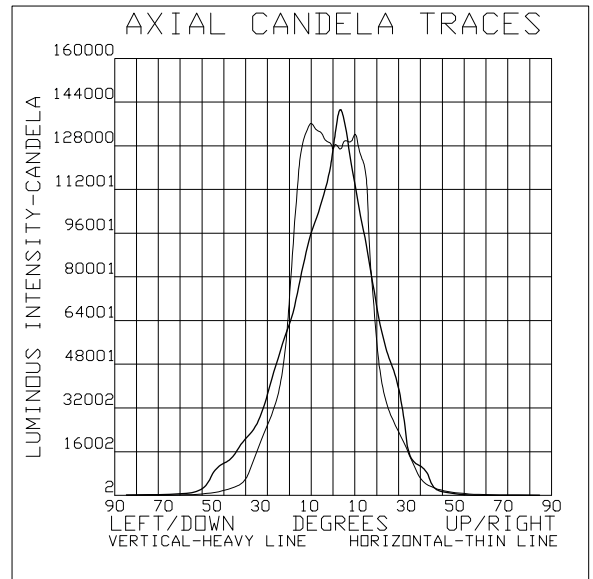


COVER GLASS: CLEAR, PLAIN, FLAT REFLECTOR SHAPE

FRONT: WIDE PARABOLIC REAR: WIDE PARABOLIC MATERIAL: ALUMINUM ALLOY: 3002 FINISH: BRIGHT DIP REFLECTANCE TOTAL: 80.0% SPECULAR: 79.7%

LAMP DATA DESIGNATION: MVR1000/U SOURCE: HALIDE ARC LUMEN REFERENCE: 100280. BULB: BT56, CLEAR VOLTAGE: 252. volts POWER: 1000. watts LIGHT CENTER LENGTH: 9.5 INCHES BASE: MOGUL SCREW SOCKET SPACER: 0.88 INCH

PERFORMANCE TYPE: 4 H X 5 V MAXIMUM CANDELA: 149109 LOCUS OF MAX. CD 7.2H X 3.0V AVERAGE OF 10 HIGHEST: 143698 BEAM SPREAD (AT 50% MAX. CD) DEG. HORIZONTAL: 35.6 DEG. VERTICAL: 31.8 BEAM LUMENS: 28750 BEAM EFFICIENCY: 28.7% FIELD SPREAD (AT 10% MAX. CD) DEG. HORIZONTAL: 68.6 DEG. VERTICAL: 73.6 FIELD LUMENS: 58623 FIELD EFFICIENCY: 58.5% SPILL LIGHT LUMENS: 9493 TOTAL LUMENS: 68115 TOTAL EFFICIENCY: 67.9% TEST DISTANCE: 60.0



SPECIAL CONDITIONS: CURRENT PRODUCTION REFLECTOR (8/2004), EXTERNAL 12" DEEP VISOR

Tested By: R. E. Horan, M. I. E. S.

Approved By: