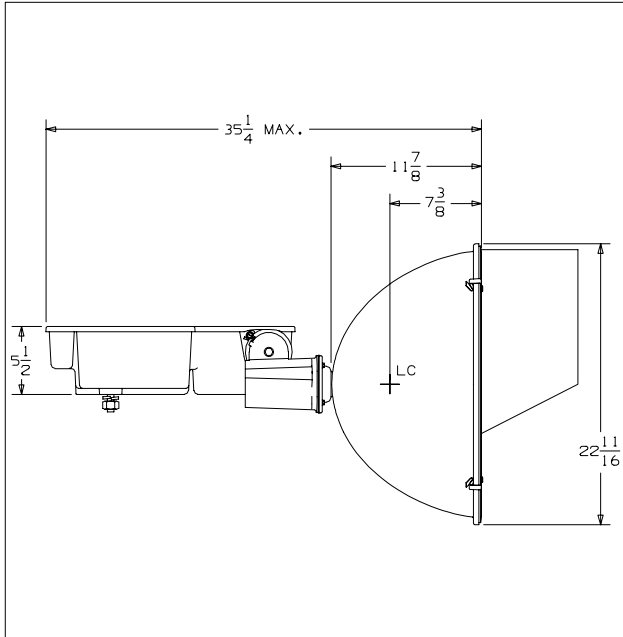




CAT NO.: SLS1000HxWxSG-V2

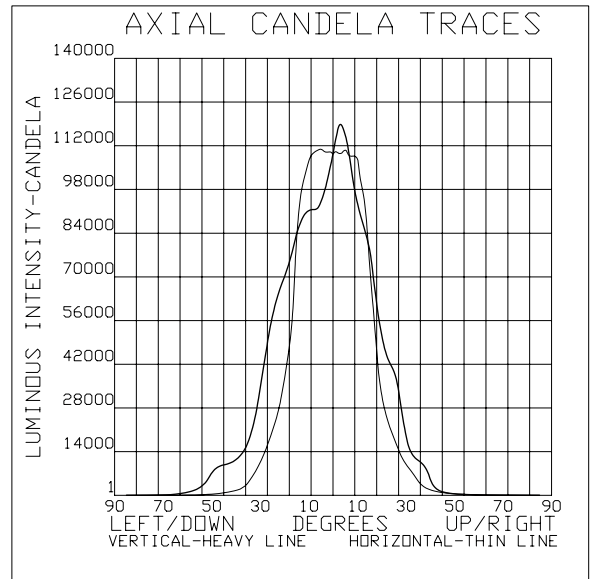
TEST NUMBER: HP-10172A



COVER GLASS: CLEAR, PLAIN, FLAT
 REFLECTOR
 SHAPE
 FRONT: WIDE PARABOLIC
 REAR: WIDE PARABOLIC
 MATERIAL: ALUMINUM
 ALLOY: 3002
 FINISH: BRIGHT DIP
 REFLECTANCE
 TOTAL: 80.0%
 SPECULAR: 79.7%

*** LAMP DATA ***
 DESIGNATION: MVR1000/U
 SOURCE: HALIDE ARC
 LUMEN REFERENCE: 100280.
 BULB: BT56, CLEAR
 VOLTAGE: 250. volts
 POWER: 1000. watts
 LIGHT CENTER LENGTH: 9.5 INCHES
 BASE: MOGUL SCREW
 SOCKET SPACER: 0.88 INCH

*** PERFORMANCE ***
 TYPE: 4 H X 5 V
 MAXIMUM CANDELA: 121467
 LOCUS OF MAX. CD 6.9H X 3.6V
 AVERAGE OF 10 HIGHEST: 118557
 BEAM SPREAD (AT 50% MAX. CD)
 DEG. HORIZONTAL: 33.8
 DEG. VERTICAL: 42.0
 BEAM LUMENS: 30882
 BEAM EFFICIENCY: 30.8%
 FIELD SPREAD (AT 10% MAX. CD)
 DEG. HORIZONTAL: 67.6
 DEG. VERTICAL: 73.5
 FIELD LUMENS: 51721
 FIELD EFFICIENCY: 51.6%
 SPILL LIGHT LUMENS: 8750
 TOTAL LUMENS: 60471
 TOTAL EFFICIENCY: 60.3%
 TEST DISTANCE: 60.0



SPECIAL CONDITIONS:
 CURRENT PRODUCTION REFLECTOR (8/2004), INTERNAL GLARE CONTROL LOUVER,
 EXT. 12" DEEP VISOR