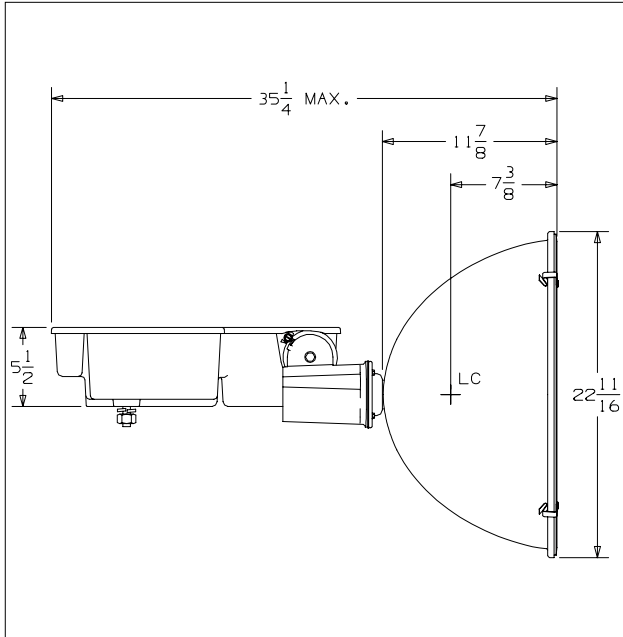




CAT NO.: SLS-1000H-xWx-SG

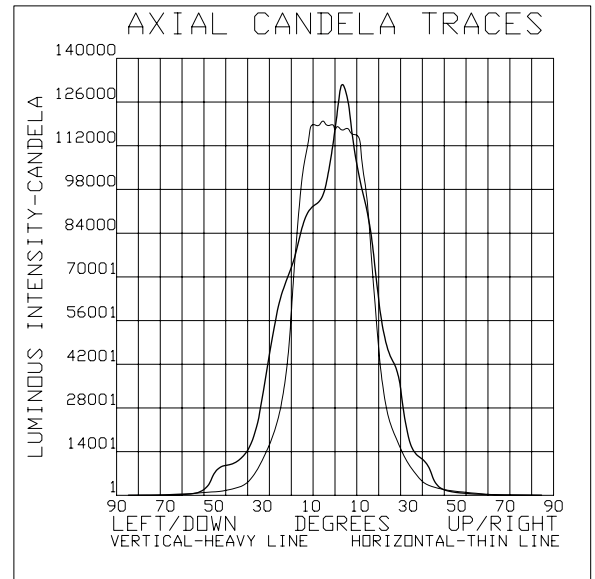
TEST NUMBER: HP-10174A



COVER GLASS: CLEAR, PLAIN, FLAT
REFLECTOR
SHAPE
FRONT: WIDE PARABOLIC
REAR: WIDE PARABOLIC
MATERIAL: ALUMINUM
ALLOY: 3002
FINISH: BRIGHT DIP
REFLECTANCE
TOTAL: 80.0%
SPECULAR: 79.7%

*** LAMP DATA ***
DESIGNATION: MVR1000/U
SOURCE: HALIDE ARC
LUMEN REFERENCE: 100280.
BULB: BT56, CLEAR
VOLTAGE: 253. volts
POWER: 1000. watts
LIGHT CENTER LENGTH: 9.5 INCHES
BASE: MOGUL SCREW
SOCKET SPACER: 0.88 INCH

*** PERFORMANCE ***
TYPE: 4 H X 5 V
MAXIMUM CANDELA: 134704
LOCUS OF MAX. CD 6.1H X 3.2V
AVERAGE OF 10 HIGHEST: 131676
BEAM SPREAD (AT 50% MAX. CD)
DEG. HORIZONTAL: 34.5
DEG. VERTICAL: 38.0
BEAM LUMENS: 29420
BEAM EFFICIENCY: 29.3%
FIELD SPREAD (AT 10% MAX. CD)
DEG. HORIZONTAL: 64.6
DEG. VERTICAL: 70.4
FIELD LUMENS: 51683
FIELD EFFICIENCY: 51.5%
SPILL LIGHT LUMENS: 11070
TOTAL LUMENS: 62753
TOTAL EFFICIENCY: 62.6%
TEST DISTANCE: 60.0



SPECIAL CONDITIONS:
CURRENT PRODUCTION REFLECTOR (8/2004), INTERNAL GLARE CONTROL LOUVER