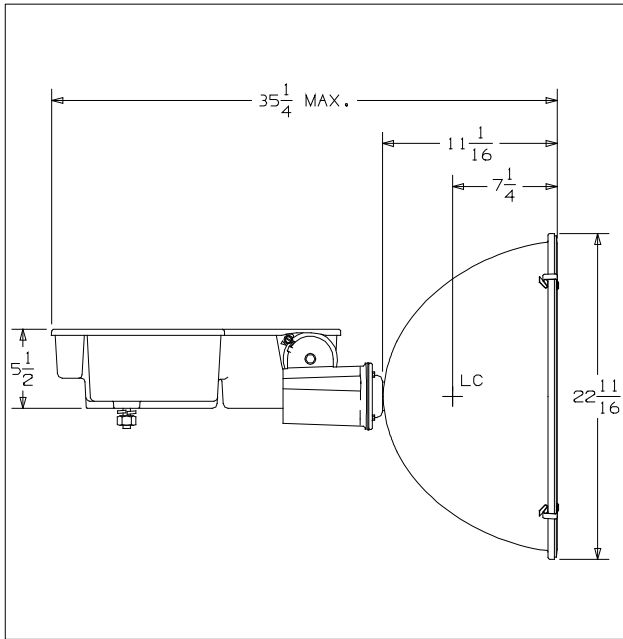




CAT NO.: SLS1000Hx-xNx

TEST NUMBER: HP-10162A



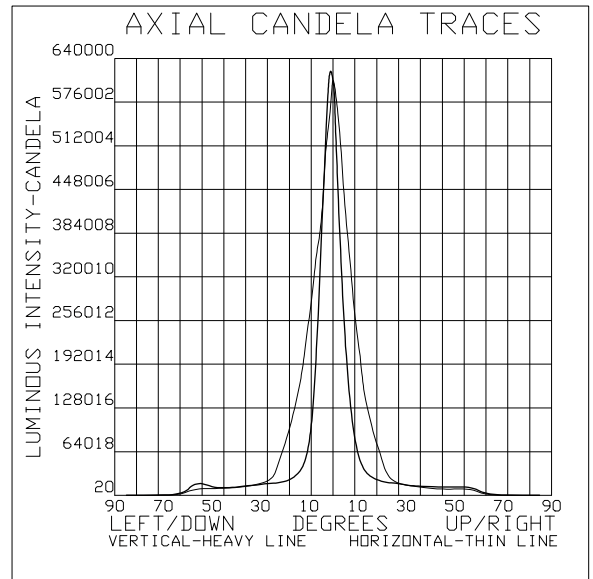
COVER GLASS: CLEAR, PLAIN, FLAT REFLECTOR SHAPE

FRONT: NARROW PARABOLIC REAR: NARROW PARABOLIC MATERIAL: ALUMINUM ALLOY: 3002 FINISH: SPECULAR

REFLECTANCE TOTAL: 81.0% SPECULAR: 81.6%

LAMP DATA DESIGNATION: MVR1000/U SOURCE: HALIDE ARC LUMEN REFERENCE: 100280. BULB: BT56, CLEAR VOLTAGE: 253. volts POWER: 1000. watts LIGHT CENTER LENGTH: 9.5 INCHES BASE: MOGUL SCREW SOCKET SPACER: 0.125 INCH

PERFORMANCE TYPE: 3 H X 2 V MAXIMUM CANDELA: 626802 LOCUS OF MAX. CD -0.3H X -0.9V AVERAGE OF 10 HIGHEST: 538728 BEAM SPREAD (AT 50% MAX. CD) DEG. HORIZONTAL: 16.7 DEG. VERTICAL: 9.6 BEAM LUMENS: 17243 BEAM EFFICIENCY: 17.2% FIELD SPREAD (AT 10% MAX. CD) DEG. HORIZONTAL: 41.3 DEG. VERTICAL: 21.3 FIELD LUMENS: 38600 FIELD EFFICIENCY: 38.5% SPILL LIGHT LUMENS: 43434 TOTAL LUMENS: 82035 TOTAL EFFICIENCY: 81.8% TEST DISTANCE: 60.0



SPECIAL CONDITIONS: NARROW FLOODLIGHT, RECENT PRODUCTION SAMPLE REFLECTOR (7/04)