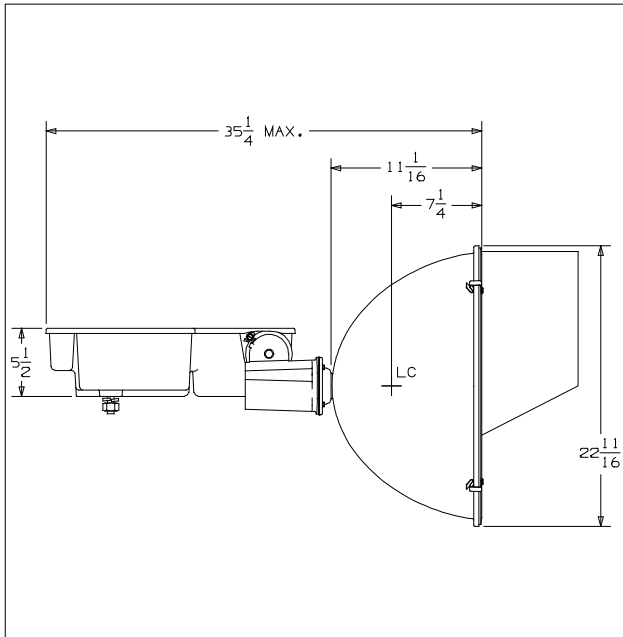




CAT NO.: SLS1000HxxNxV2

TEST NUMBER: HP-10161A



COVER GLASS: CLEAR, PLAIN, FLAT
REFLECTOR
SHAPE

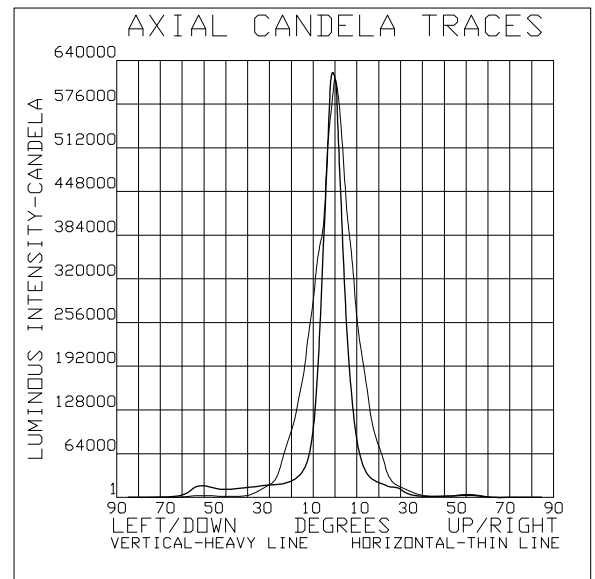
FRONT: NARROW PARABOLIC
REAR: NARROW PARABOLIC

MATERIAL: ALUMINUM
ALLOY: 3002
FINISH: SPECULAR

REFLECTANCE
TOTAL: 81.0%
SPECULAR: 81.6%

*** LAMP DATA ***
DESIGNATION: MVR1000/U
SOURCE: HALIDE ARC
LUMEN REFERENCE: 100280.
BULB: BT56, CLEAR
VOLTAGE: 253. volts
POWER: 1000. watts
LIGHT CENTER LENGTH: 9.5 INCHES
BASE: MOGUL SCREW
SOCKET SPACER: 0.125 INCH

*** PERFORMANCE ***
TYPE: 3 H X 2 V
MAXIMUM CANDELA: 626802
LOCUS OF MAX. CD -0.4H X -0.8V
AVERAGE OF 10 HIGHEST: 541205
BEAM SPREAD (AT 50% MAX. CD)
DEG. HORIZONTAL: 16.9
DEG. VERTICAL: 9.8
BEAM LUMENS: 16531
BEAM EFFICIENCY: 16.5%
FIELD SPREAD (AT 10% MAX. CD)
DEG. HORIZONTAL: 41.3
DEG. VERTICAL: 21.3
FIELD LUMENS: 38956
FIELD EFFICIENCY: 38.8%
SPILL LIGHT LUMENS: 30477
TOTAL LUMENS: 69433
TOTAL EFFICIENCY: 69.2%
TEST DISTANCE: 60.0



SPECIAL CONDITIONS:
NARROW FLOODLIGHT, RECENT PROD. SAMP. REFL.(7/04), WITH 12" DEEP
EXTERNAL VISOR