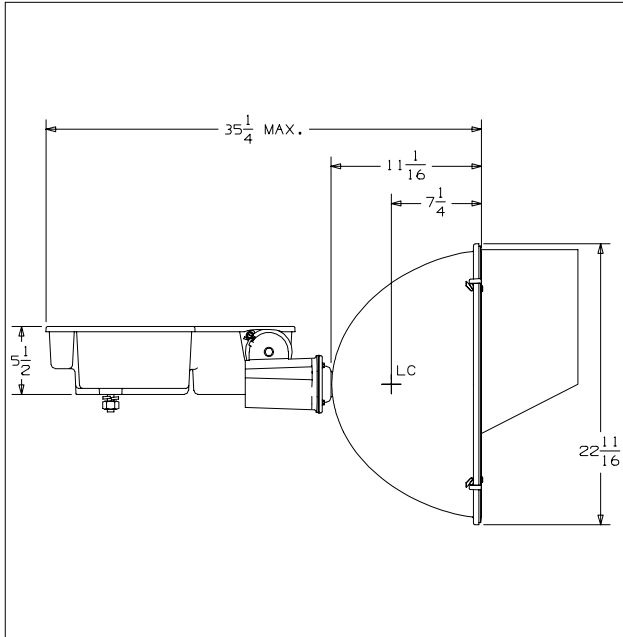




CAT NO.: SLS1000HxxNxSGV2

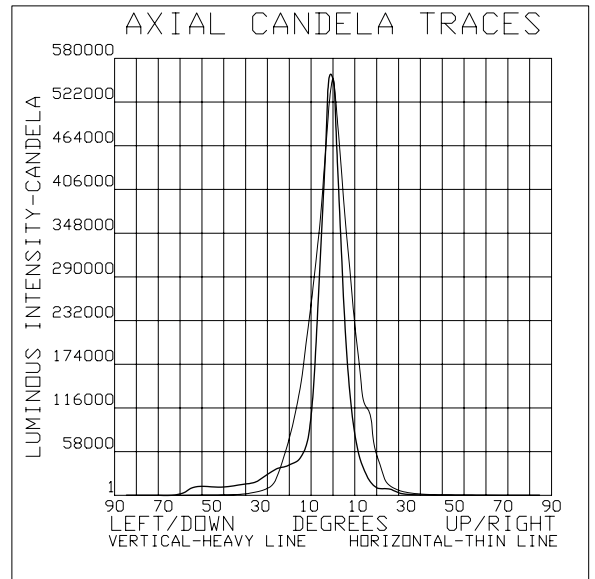
TEST NUMBER: HP-10159A



COVER GLASS: CLEAR, PLAIN, FLAT
REFLECTOR
SHAPE
FRONT: NARROW PARABOLIC
REAR: NARROW PARABOLIC
MATERIAL: ALUMINUM
ALLOY: 3002
FINISH: SPECULAR
REFLECTANCE
TOTAL: 81.0%
SPECULAR: 81.6%

*** LAMP DATA ***
DESIGNATION: MVR1000/U
SOURCE: HALIDE ARC
LUMEN REFERENCE: 100280.
BULB: BT56, CLEAR
VOLTAGE: 252. volts
POWER: 1000. watts
LIGHT CENTER LENGTH: 9.5 INCHES
BASE: MOGUL SCREW
SOCKET SPACER: 0.125 INCH

*** PERFORMANCE ***
TYPE: 3 H X 2 V
MAXIMUM CANDELA: 560618
LOCUS OF MAX. CD -0.4H X -0.6V
AVERAGE OF 10 HIGHEST: 480421
BEAM SPREAD (AT 50% MAX. CD)
DEG. HORIZONTAL: 16.4
DEG. VERTICAL: 10.0
BEAM LUMENS: 14885
BEAM EFFICIENCY: 14.8%
FIELD SPREAD (AT 10% MAX. CD)
DEG. HORIZONTAL: 39.6
DEG. VERTICAL: 23.1
FIELD LUMENS: 35729
FIELD EFFICIENCY: 35.6%
SPILL LIGHT LUMENS: 24277
TOTAL LUMENS: 60006
TOTAL EFFICIENCY: 59.8%
TEST DISTANCE: 60.0



SPECIAL CONDITIONS:
NARROW FLOODLIGHT, RECENT PROD. SAMP. REFL.(7/04), WITH GLARE CONTROL,
12" DEEP EXT. VISOR

Tested By: R. E. Horan, M. I. E. S.

Approved By: