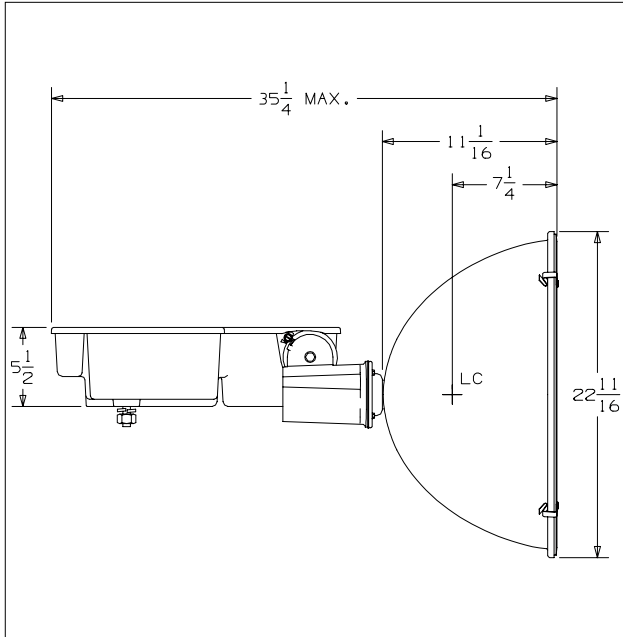




CAT NO.: SLS1000Hx-xNx-SG

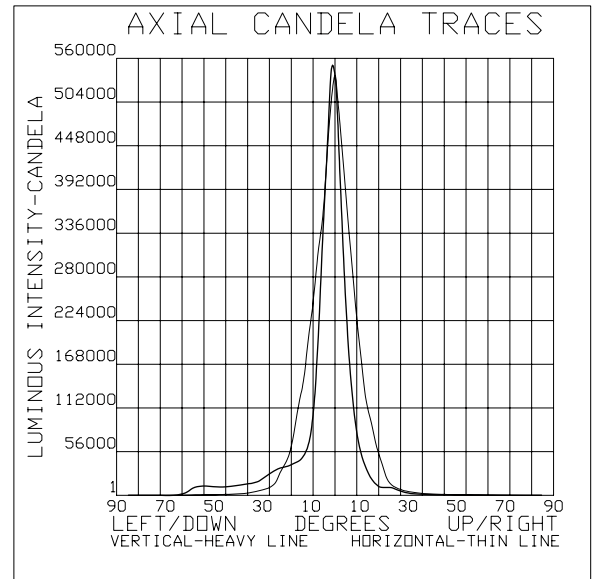
TEST NUMBER: HP-10160A



COVER GLASS: CLEAR, PLAIN, FLAT
REFLECTOR
SHAPE
FRONT: NARROW PARABOLIC
REAR: NARROW PARABOLIC
MATERIAL: ALUMINUM
ALLOY: 3002
FINISH: SPECULAR
REFLECTANCE
TOTAL: 81.0%
SPECULAR: 81.6%

*** LAMP DATA ***
DESIGNATION: MVR1000/U
SOURCE: HALIDE ARC
LUMEN REFERENCE: 100280.
BULB: BT56, CLEAR
VOLTAGE: 252. volts
POWER: 1000. watts
LIGHT CENTER LENGTH: 9.5 INCHES
BASE: MOGUL SCREW
SOCKET SPACER: 0.125 INCH

*** PERFORMANCE ***
TYPE: 3 H X 2 V
MAXIMUM CANDELA: 560618
LOCUS OF MAX. CD -0.6H X -1.1V
AVERAGE OF 10 HIGHEST: 472053
BEAM SPREAD (AT 50% MAX. CD)
DEG. HORIZONTAL: 16.2
DEG. VERTICAL: 9.8
BEAM LUMENS: 14606
BEAM EFFICIENCY: 14.6%
FIELD SPREAD (AT 10% MAX. CD)
DEG. HORIZONTAL: 38.4
DEG. VERTICAL: 22.9
FIELD LUMENS: 34861
FIELD EFFICIENCY: 34.8%
SPILL LIGHT LUMENS: 25839
TOTAL LUMENS: 60700
TOTAL EFFICIENCY: 60.5%
TEST DISTANCE: 60.0



SPECIAL CONDITIONS:
NARROW FLOODLIGHT, RECENT PRODUCTION SAMPLE REFLECTOR (7/04), WITH
GLARE CONTROL