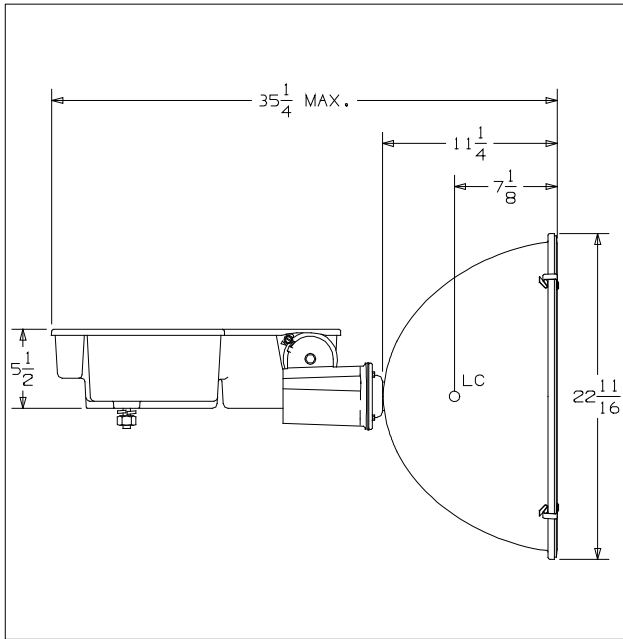




CAT NO.: SLS1000Hx-xMx

TEST NUMBER: HP-10167A

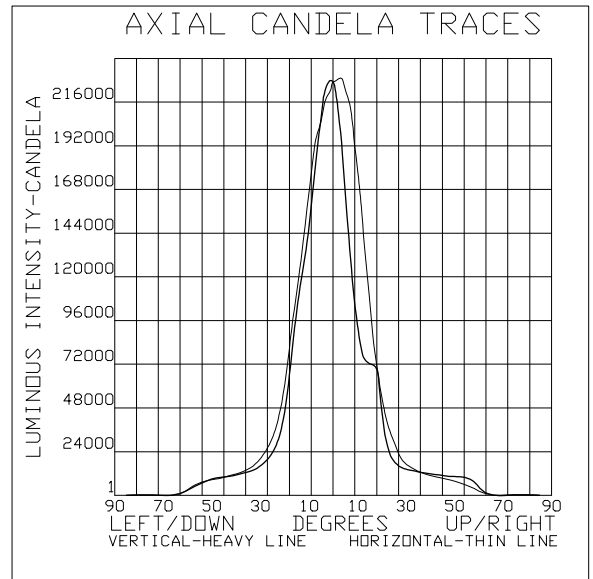


COVER GLASS: CLEAR, PLAIN, FLAT  
REFLECTOR  
SHAPE

FRONT: MEDIUM PARABOLIC  
REAR: MEDIUM PARABOLIC  
MATERIAL: ALUMINUM  
ALLOY: 3002  
FINISH: SEMI-SPECULAR  
REFLECTANCE  
TOTAL: 81.0%  
SPECULAR: 79.4%

\* \* \* \* LAMP DATA \* \* \* \*  
DESIGNATION: MVR1000/U  
SOURCE: HALIDE ARC  
LUMEN REFERENCE: 100280.  
BULB: BT56, CLEAR  
VOLTAGE: 253. volts  
POWER: 1000. watts  
LIGHT CENTER LENGTH: 9.5 INCHES  
BASE: MOGUL SCREW  
SOCKET SPACER: NONE

\* \* \* \* PERFORMANCE \* \* \* \*  
TYPE: 4 H X 4 V  
MAXIMUM CANDELA: 232034  
LOCUS OF MAX. CD 2.2H X -1.2V  
AVERAGE OF 10 HIGHEST: 225684  
BEAM SPREAD (AT 50% MAX. CD)  
DEG. HORIZONTAL: 29.7  
DEG. VERTICAL: 21.8  
BEAM LUMENS: 28015  
BEAM EFFICIENCY: 27.9%  
FIELD SPREAD (AT 10% MAX. CD)  
DEG. HORIZONTAL: 55.6  
DEG. VERTICAL: 49.0  
FIELD LUMENS: 51504  
FIELD EFFICIENCY: 51.4%  
SPILL LIGHT LUMENS: 26644  
TOTAL LUMENS: 78148  
TOTAL EFFICIENCY: 77.9%  
TEST DISTANCE: 60.0



SPECIAL CONDITIONS:  
MEDIUM FLOODLIGHT, RECENT PRODUCTION SAMPLE REFLECTOR (7/04)