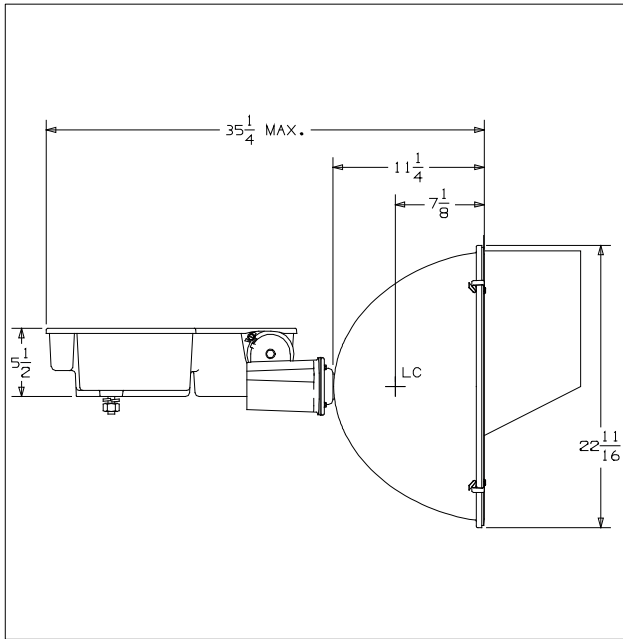




CAT NO.: SLS1000HxxMxV2

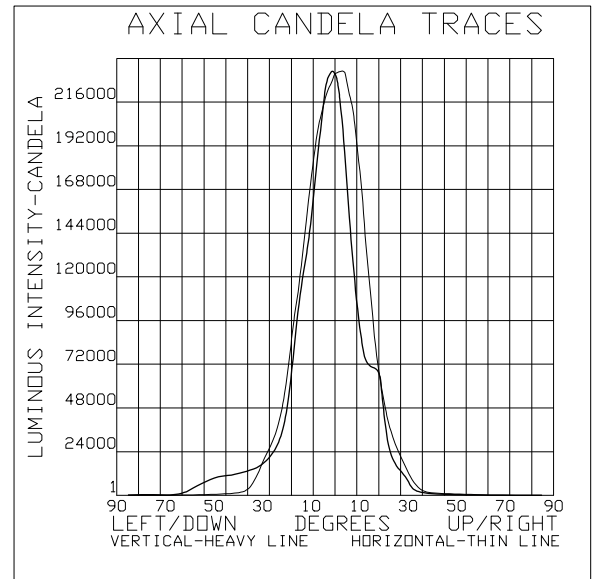
TEST NUMBER: HP-10165A



COVER GLASS: CLEAR, PLAIN, FLAT
 REFLECTOR
 SHAPE
 FRONT: MEDIUM PARABOLIC
 REAR: MEDIUM PARABOLIC
 MATERIAL: ALUMINUM
 ALLOY: 3002
 FINISH: SEMI-SPECULAR
 REFLECTANCE
 TOTAL: 81.0%
 SPECULAR: 79.4%

*** LAMP DATA ***
 DESIGNATION: MVR1000/U
 SOURCE: HALIDE ARC
 LUMEN REFERENCE: 100280.
 BULB: BT56, CLEAR
 VOLTAGE: 253. volts
 POWER: 1000. watts
 LIGHT CENTER LENGTH: 9.5 INCHES
 BASE: MOGUL SCREW
 SOCKET SPACER: NONE

*** PERFORMANCE ***
 TYPE: 4 H X 4 V
 MAXIMUM CANDELA: 235927
 LOCUS OF MAX. CD 1.8H X -1.1V
 AVERAGE OF 10 HIGHEST: 230034
 BEAM SPREAD (AT 50% MAX. CD)
 DEG. HORIZONTAL: 29.5
 DEG. VERTICAL: 21.6
 BEAM LUMENS: 28459
 BEAM EFFICIENCY: 28.4%
 FIELD SPREAD (AT 10% MAX. CD)
 DEG. HORIZONTAL: 54.5
 DEG. VERTICAL: 48.4
 FIELD LUMENS: 51640
 FIELD EFFICIENCY: 51.5%
 SPILL LIGHT LUMENS: 15762
 TOTAL LUMENS: 67401
 TOTAL EFFICIENCY: 67.2%
 TEST DISTANCE: 60.0



SPECIAL CONDITIONS:
 MEDIUM FLOODLIGHT, RECENT PROD. SAMP. REFL.(7/04), WITH 12" DEEP
 EXTERNAL VISOR