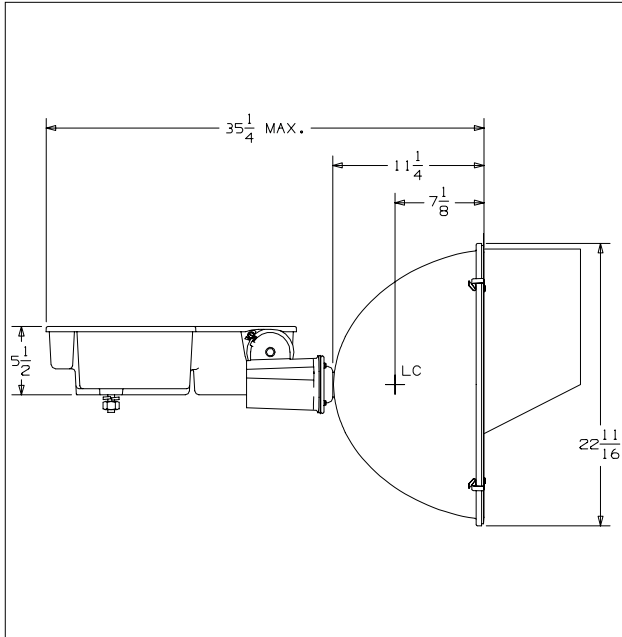




CAT NO.: SLS1000HxxMxSGV2

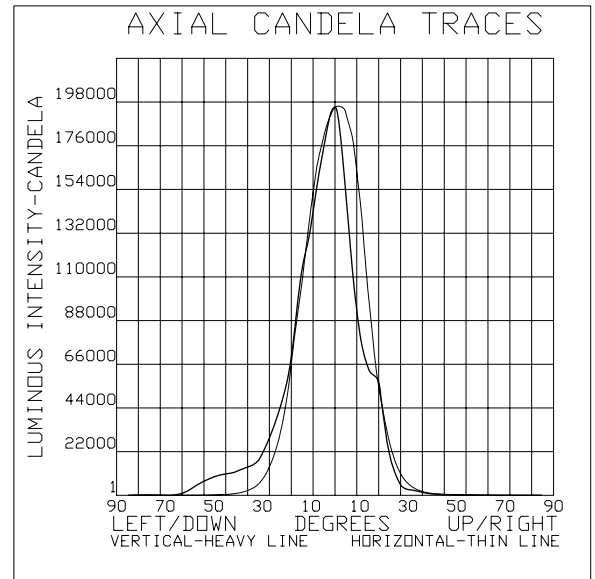
TEST NUMBER: HP-10164A



COVER GLASS: CLEAR, PLAIN, FLAT
REFLECTOR
SHAPE
FRONT: MEDIUM PARABOLIC
REAR: MEDIUM PARABOLIC
MATERIAL: ALUMINUM
ALLOY: 3002
FINISH: SEMI-SPECULAR
REFLECTANCE
TOTAL: 81.0%
SPECULAR: 79.4%

*** LAMP DATA ***
DESIGNATION: MVR1000/U
SOURCE: HALIDE ARC
LUMEN REFERENCE: 100280.
BULB: BT56, CLEAR
VOLTAGE: 252. volts
POWER: 1000. watts
LIGHT CENTER LENGTH: 9.5 INCHES
BASE: MOGUL SCREW
SOCKET SPACER: NONE

*** PERFORMANCE ***
TYPE: 4 H X 4 V
MAXIMUM CANDELA: 197774
LOCUS OF MAX. CD 0.8H X -0.2V
AVERAGE OF 10 HIGHEST: 191775
BEAM SPREAD (AT 50% MAX. CD)
DEG. HORIZONTAL: 29.2
DEG. VERTICAL: 23.7
BEAM LUMENS: 24854
BEAM EFFICIENCY: 24.8%
FIELD SPREAD (AT 10% MAX. CD)
DEG. HORIZONTAL: 50.1
DEG. VERTICAL: 54.1
FIELD LUMENS: 46384
FIELD EFFICIENCY: 46.3%
SPILL LIGHT LUMENS: 12445
TOTAL LUMENS: 58829
TOTAL EFFICIENCY: 58.7%
TEST DISTANCE: 60.0



SPECIAL CONDITIONS:
MEDIUM FLOODLIGHT, RECENT PROD. SAMP. REFL.(7/04), WITH GLARE CONTROL,
12" DEEP EXT. VISOR