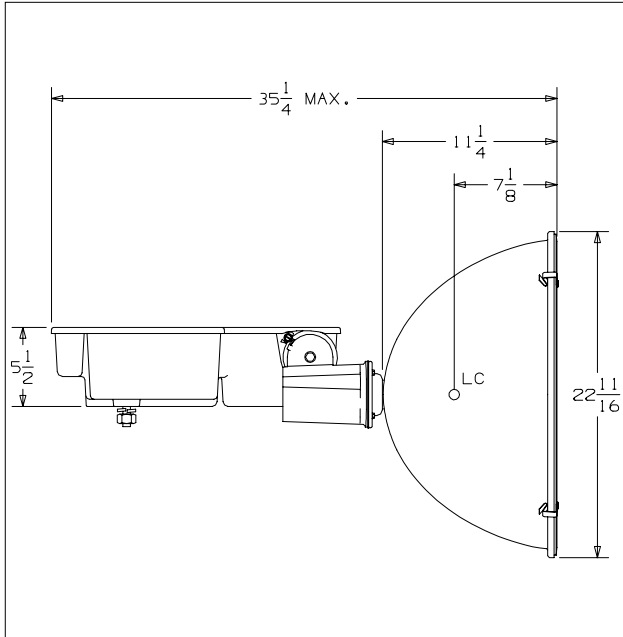




CAT NO.: SLS1000Hx-xMx-SG

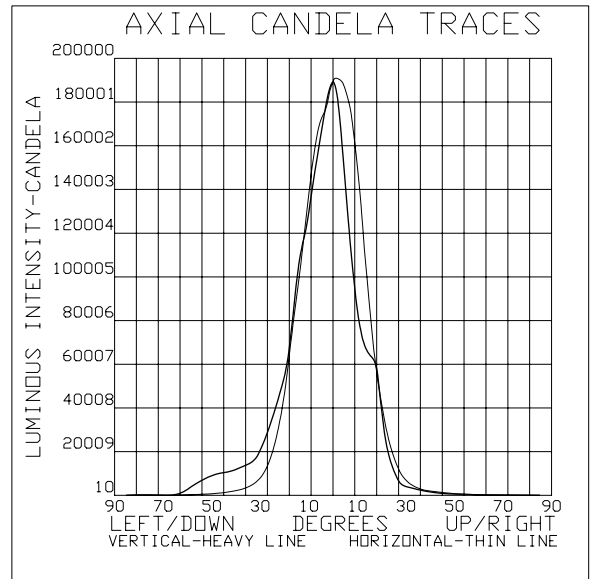
TEST NUMBER: HP-10166A



COVER GLASS: CLEAR, PLAIN, FLAT  
 REFLECTOR  
 SHAPE  
 FRONT: MEDIUM PARABOLIC  
 REAR: MEDIUM PARABOLIC  
 MATERIAL: ALUMINUM  
 ALLOY: 3002  
 FINISH: SEMI-SPECULAR  
 REFLECTANCE  
 TOTAL: 81.0%  
 SPECULAR: 79.4%

\*\*\* LAMP DATA \*\*\*  
 DESIGNATION: MVR1000/U  
 SOURCE: HALIDE ARC  
 LUMEN REFERENCE: 100280.  
 BULB: BT56, CLEAR  
 VOLTAGE: 253. volts  
 POWER: 1000. watts  
 LIGHT CENTER LENGTH: 9.5 INCHES  
 BASE: MOGUL SCREW  
 SOCKET SPACER: NONE

\*\*\* PERFORMANCE \*\*\*  
 TYPE: 4 H X 4 V  
 MAXIMUM CANDELA: 191544  
 LOCUS OF MAX. CD 1.6H X 0.0V  
 AVERAGE OF 10 HIGHEST: 185640  
 BEAM SPREAD (AT 50% MAX. CD)  
 DEG. HORIZONTAL: 29.3  
 DEG. VERTICAL: 24.2  
 BEAM LUMENS: 24657  
 BEAM EFFICIENCY: 24.6%  
 FIELD SPREAD (AT 10% MAX. CD)  
 DEG. HORIZONTAL: 50.1  
 DEG. VERTICAL: 54.4  
 FIELD LUMENS: 45853  
 FIELD EFFICIENCY: 45.7%  
 SPILL LIGHT LUMENS: 13455  
 TOTAL LUMENS: 59308  
 TOTAL EFFICIENCY: 59.1%  
 TEST DISTANCE: 60.0



SPECIAL CONDITIONS:  
 MEDIUM FLOODLIGHT, RECENT PRODUCTION SAMPLE REFLECTOR (7/04), WITH  
 GLARE CONTROL