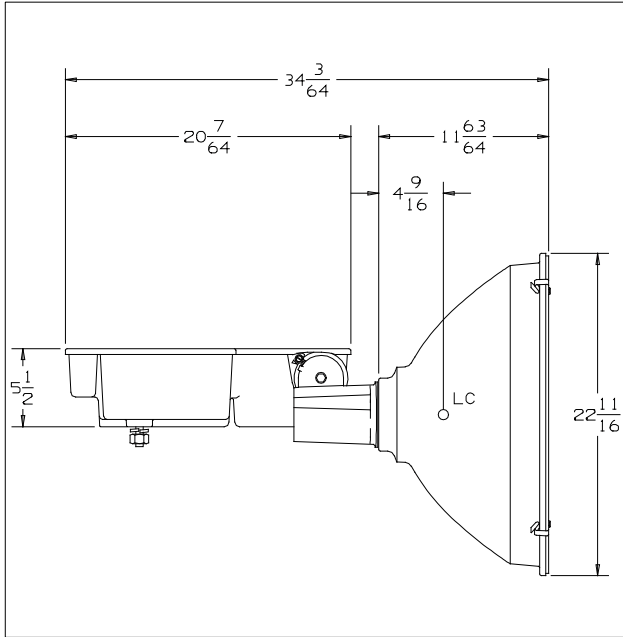




CAT NO.: SLS-1000Hx-x6x

TEST NUMBER: HP-10153

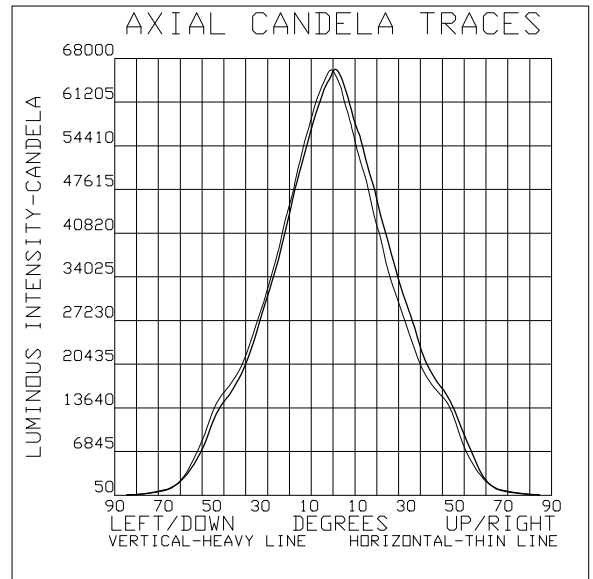


COVER GLASS: CLEAR, PLAIN, FLAT  
REFLECTOR  
SHAPE

FRONT: AS SPUN NEMA 6  
REAR: AS SPUN NEMA 6  
MATERIAL: ALUMINUM  
ALLOY: 1100  
FINISH: DIFFUSE  
REFLECTANCE  
TOTAL: 85.5%  
SPECULAR: 40.0%

LAMP DATA  
DESIGNATION: MVR1000/U  
SOURCE: HALIDE ARC  
LUMEN REFERENCE: 108000.  
BULB: BT56, CLEAR  
VOLTAGE: 252. volts  
POWER: 1000. watts  
LIGHT CENTER LENGTH: 9.5 INCHES  
BASE: MOGUL SCREW  
SOCKET SPACER: NONE

PERFORMANCE  
TYPE: 6 H X 6 V  
MAXIMUM CANDELA: 66783  
LOCUS OF MAX. CD -1.7H X 0.9V  
AVERAGE OF 10 HIGHEST: 65094  
BEAM SPREAD (AT 50% MAX. CD)  
DEG. HORIZONTAL: 50.3  
DEG. VERTICAL: 52.4  
BEAM LUMENS: 28064  
BEAM EFFICIENCY: 26.0%  
FIELD SPREAD (AT 10% MAX. CD)  
DEG. HORIZONTAL: 111.9  
DEG. VERTICAL: 112.4  
FIELD LUMENS: 65292  
FIELD EFFICIENCY: 60.5%  
SPILL LIGHT LUMENS: 4595  
TOTAL LUMENS: 69887  
TOTAL EFFICIENCY: 64.7%  
TEST DISTANCE: 60.0



SPECIAL CONDITIONS:  
CURRENT PRODUCTION (6/2004) REFLECTOR