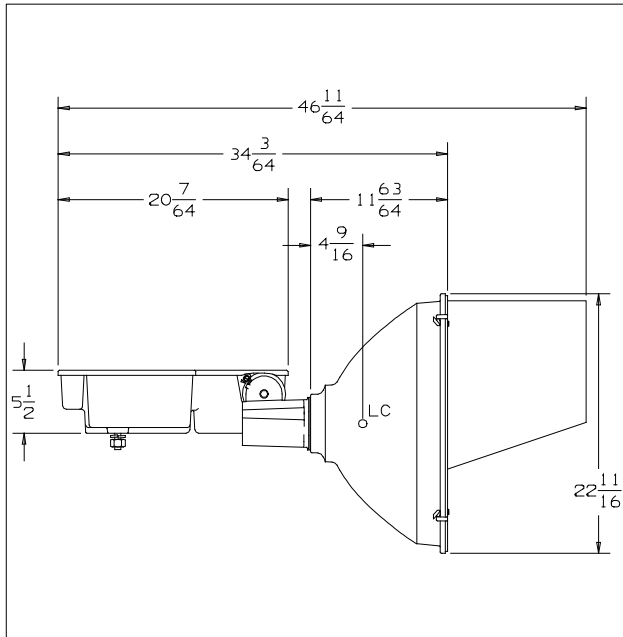




CAT NO.: SLS1000Hx-x6x-V2

TEST NUMBER: HP-10152



COVER GLASS: CLEAR, PLAIN, FLAT
REFLECTOR
SHAPE

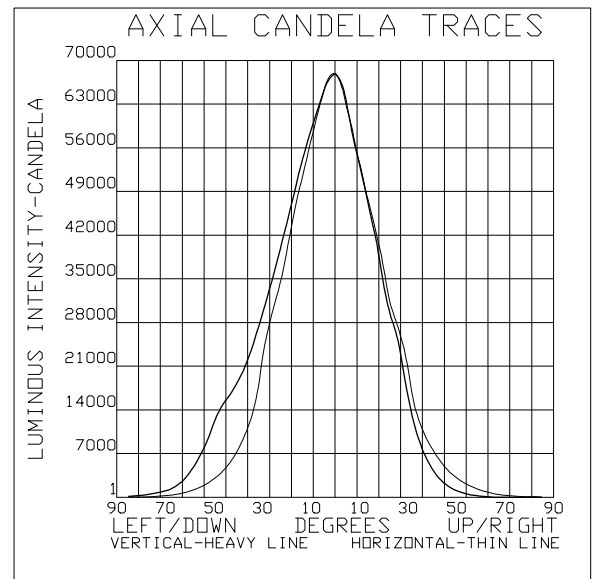
FRONT: AS SPUN NEMA 6
REAR: AS SPUN NEMA 6

MATERIAL: ALUMINUM
ALLOY: 1100
FINISH: DIFFUSE

REFLECTANCE
TOTAL: 85.5%
SPECULAR: 40.0%

*** LAMP DATA ***
DESIGNATION: MVR1000/U
SOURCE: HALIDE ARC
LUMEN REFERENCE: 108000.
BULB: BT56, CLEAR
VOLTAGE: 252. volts
POWER: 1000. watts
LIGHT CENTER LENGTH: 9.5 INCHES
BASE: MOGUL SCREW
SOCKET SPACER: NONE

*** PERFORMANCE ***
TYPE: 5 H X 5 V
MAXIMUM CANDELA: 68327
LOCUS OF MAX. CD -0.5H X -0.3V
AVERAGE OF 10 HIGHEST: 66835
BEAM SPREAD (AT 50% MAX. CD)
DEG. HORIZONTAL: 45.3
DEG. VERTICAL: 46.5
BEAM LUMENS: 23361
BEAM EFFICIENCY: 21.6%
FIELD SPREAD (AT 10% MAX. CD)
DEG. HORIZONTAL: 98.1
DEG. VERTICAL: 92.6
FIELD LUMENS: 48154
FIELD EFFICIENCY: 44.6%
SPILL LIGHT LUMENS: 4787
TOTAL LUMENS: 52941
TOTAL EFFICIENCY: 49.0%
TEST DISTANCE: 60.0



SPECIAL CONDITIONS:
CURRENT PRODUCTION (6/2004) REFLECTOR WITH 12" DEEP BLACK VISOR