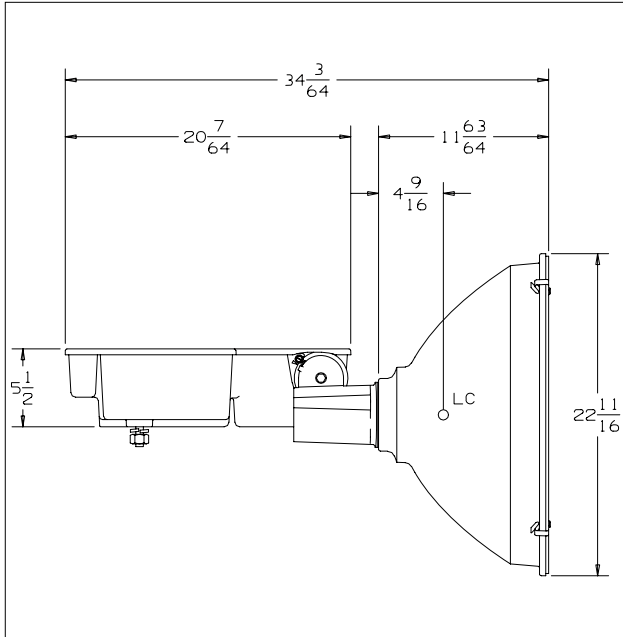




CAT NO.: SLS-1000Hx-x5x

TEST NUMBER: HP-10151

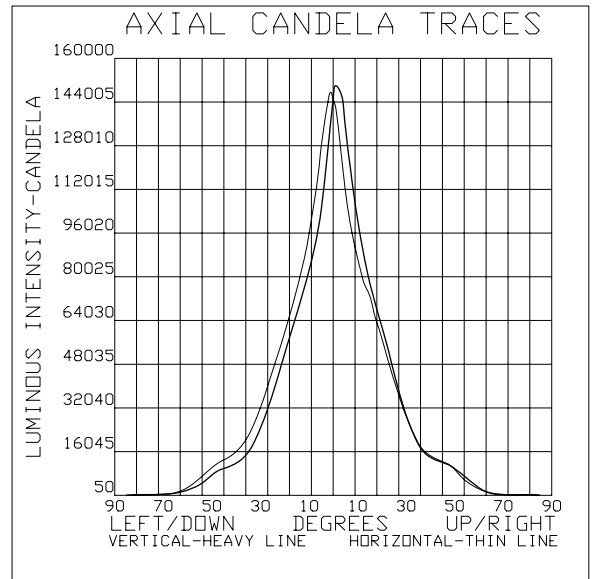


COVER GLASS: CLEAR, PLAIN, FLAT  
REFLECTOR  
SHAPE

FRONT: AS SPUN NEMA 5  
REAR: AS SPUN NEMA 5  
MATERIAL: ALUMINUM  
ALLOY: 1100  
FINISH: DIFFUSE  
REFLECTANCE  
TOTAL: 82.6%  
SPECULAR: 62.2%

\*\*\* LAMP DATA \*\*\*  
DESIGNATION: MVR1000/U  
SOURCE: HALIDE ARC  
LUMEN REFERENCE: 108000.  
BULB: BT56, CLEAR  
VOLTAGE: 251. volts  
POWER: 1000. watts  
LIGHT CENTER LENGTH: 9.5 INCHES  
BASE: MOGUL SCREW  
SOCKET SPACER: NONE

\*\*\* PERFORMANCE \*\*\*  
TYPE: 5 H X 5 V  
MAXIMUM CANDELA: 153254  
LOCUS OF MAX. CD -0.8H X 1.8V  
AVERAGE OF 10 HIGHEST: 142242  
BEAM SPREAD (AT 50% MAX. CD)  
DEG. HORIZONTAL: 29.0  
DEG. VERTICAL: 27.2  
BEAM LUMENS: 19545  
BEAM EFFICIENCY: 18.1%  
FIELD SPREAD (AT 10% MAX. CD)  
DEG. HORIZONTAL: 80.7  
DEG. VERTICAL: 74.0  
FIELD LUMENS: 61951  
FIELD EFFICIENCY: 57.4%  
SPILL LIGHT LUMENS: 16894  
TOTAL LUMENS: 78846  
TOTAL EFFICIENCY: 73.0%  
TEST DISTANCE: 60.0



SPECIAL CONDITIONS:  
CURRENT PRODUCTION (6/2004) REFLECTOR WITH BRIGHT DIP