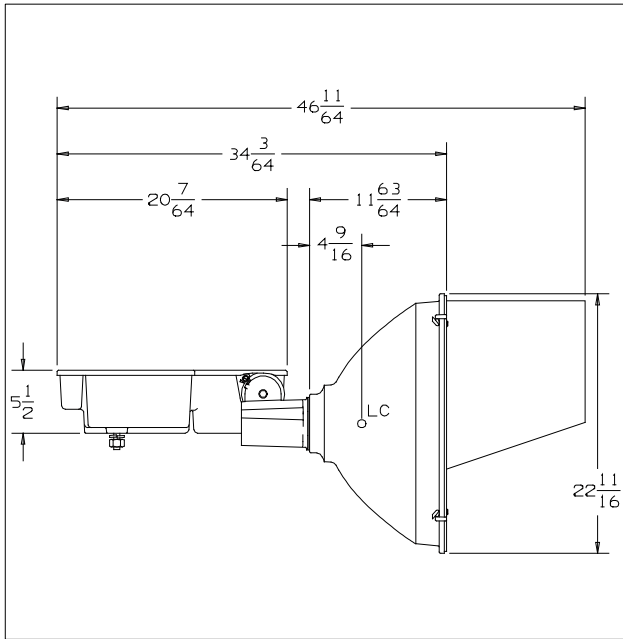




CAT NO.: SLS1000Hx-x5x-V2

TEST NUMBER: HP-10150



COVER GLASS: CLEAR, PLAIN, FLAT  
REFLECTOR  
SHAPE

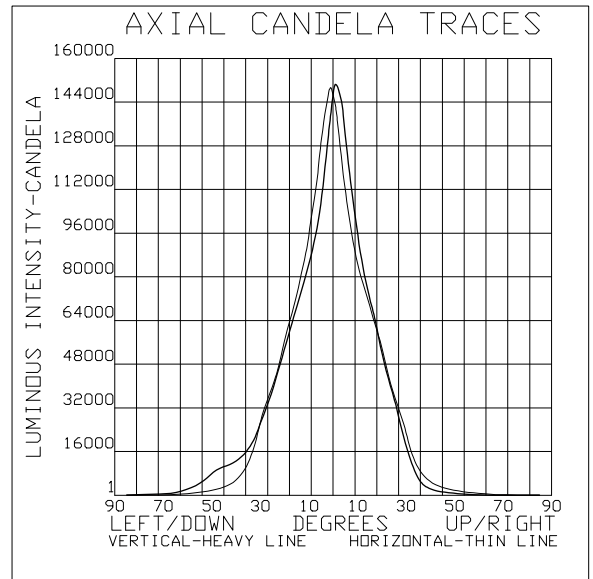
FRONT: AS SPUN NEMA 5  
REAR: AS SPUN NEMA 5

MATERIAL: ALUMINUM  
ALLOY: 1100  
FINISH: DIFFUSE

REFLECTANCE  
TOTAL: 82.6%  
SPECULAR: 62.2%

\*\*\* LAMP DATA \*\*\*  
DESIGNATION: MVR1000/U  
SOURCE: HALIDE ARC  
LUMEN REFERENCE: 108000.  
BULB: BT56, CLEAR  
VOLTAGE: 250. volts  
POWER: 1000. watts  
LIGHT CENTER LENGTH: 9.5 INCHES  
BASE: MOGUL SCREW  
SOCKET SPACER: NONE

\*\*\* PERFORMANCE \*\*\*  
TYPE: 5 H X 4 V  
MAXIMUM CANDELA: 153640  
LOCUS OF MAX. CD -1.5H X 1.7V  
AVERAGE OF 10 HIGHEST: 141984  
BEAM SPREAD (AT 50% MAX. CD)  
DEG. HORIZONTAL: 26.9  
DEG. VERTICAL: 26.3  
BEAM LUMENS: 18385  
BEAM EFFICIENCY: 17.0%  
FIELD SPREAD (AT 10% MAX. CD)  
DEG. HORIZONTAL: 73.0  
DEG. VERTICAL: 67.9  
FIELD LUMENS: 53812  
FIELD EFFICIENCY: 49.8%  
SPILL LIGHT LUMENS: 10710  
TOTAL LUMENS: 64522  
TOTAL EFFICIENCY: 59.7%  
TEST DISTANCE: 60.0



SPECIAL CONDITIONS:  
CURRENT PRODUCTION (6/2004) REFLECTOR W/ BRIGHT DIP & WITH 12" DEEP  
BLACK VISOR