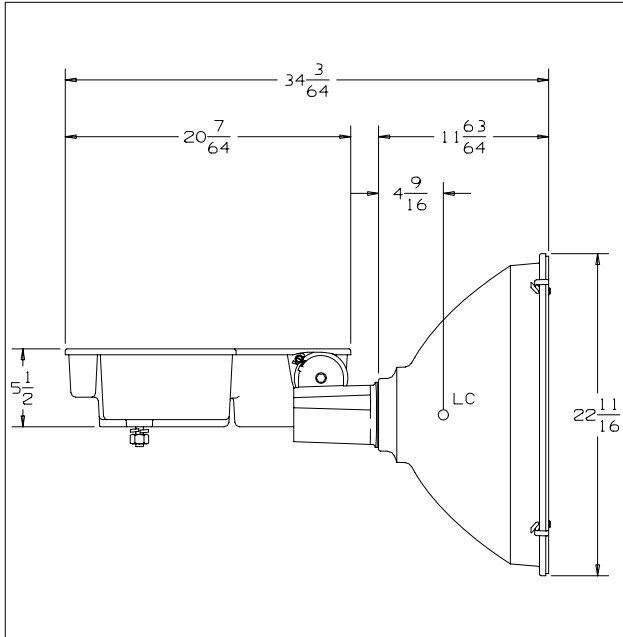




CAT NO.: SLS-1000Hx-x4x

TEST NUMBER: HP-10155

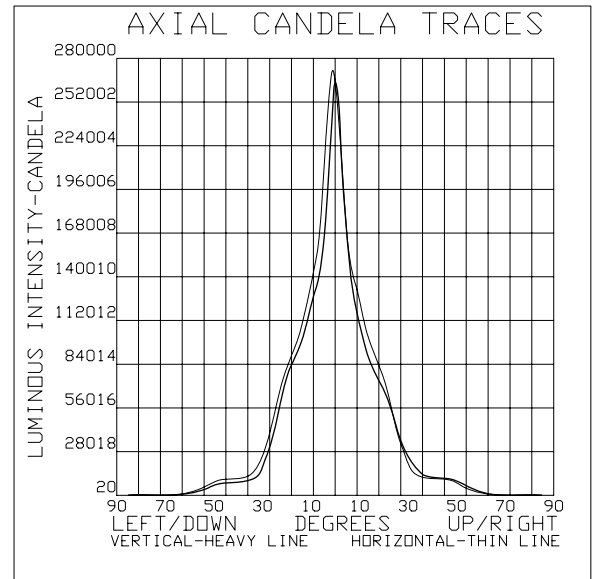


COVER GLASS: CLEAR, PLAIN, FLAT  
REFLECTOR  
SHAPE

FRONT: AS SPUN NEMA 4  
REAR: AS SPUN NEMA 4  
MATERIAL: ALUMINUM  
ALLOY: 3002  
FINISH: SPECULAR  
REFLECTANCE  
TOTAL: 81.1%  
SPECULAR: 80.7%

\*\*\* LAMP DATA \*\*\*  
DESIGNATION: MVR1000/U  
SOURCE: HALIDE ARC  
LUMEN REFERENCE: 108000.  
BULB: BT56, CLEAR  
VOLTAGE: 254. volts  
POWER: 1000. watts  
LIGHT CENTER LENGTH: 9.5 INCHES  
BASE: MOGUL SCREW  
SOCKET SPACER: NONE

\*\*\* PERFORMANCE \*\*\*  
TYPE: 4 H X 4 V  
MAXIMUM CANDELA: 272152  
LOCUS OF MAX. CD -1.0H X 0.2V  
AVERAGE OF 10 HIGHEST: 228912  
BEAM SPREAD (AT 50% MAX. CD)  
DEG. HORIZONTAL: 18.4  
DEG. VERTICAL: 14.4  
BEAM LUMENS: 11487  
BEAM EFFICIENCY: 10.6%  
FIELD SPREAD (AT 10% MAX. CD)  
DEG. HORIZONTAL: 58.0  
DEG. VERTICAL: 57.2  
FIELD LUMENS: 60040  
FIELD EFFICIENCY: 55.6%  
SPILL LIGHT LUMENS: 22648  
TOTAL LUMENS: 82688  
TOTAL EFFICIENCY: 76.6%  
TEST DISTANCE: 60.0



SPECIAL CONDITIONS:  
CURRENT PRODUCTION (7/2004) REFLECTOR