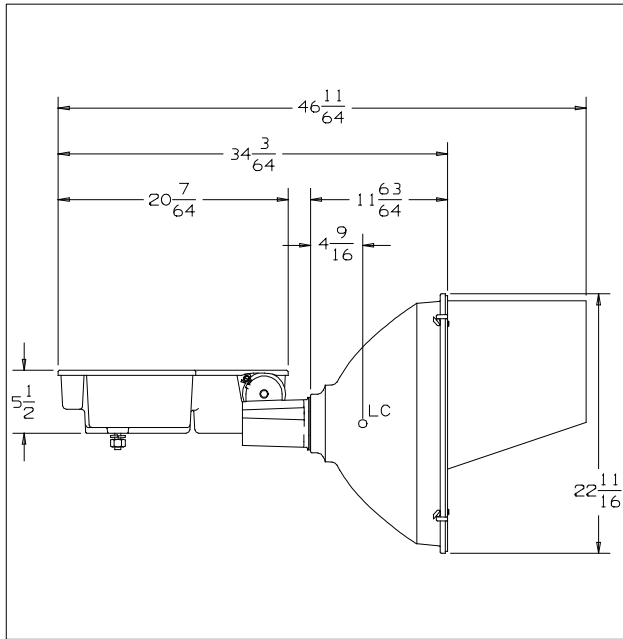




CAT NO.: SLS1000Hx-x4x-V2

TEST NUMBER: HP-10154



COVER GLASS: CLEAR, PLAIN, FLAT
REFLECTOR
SHAPE

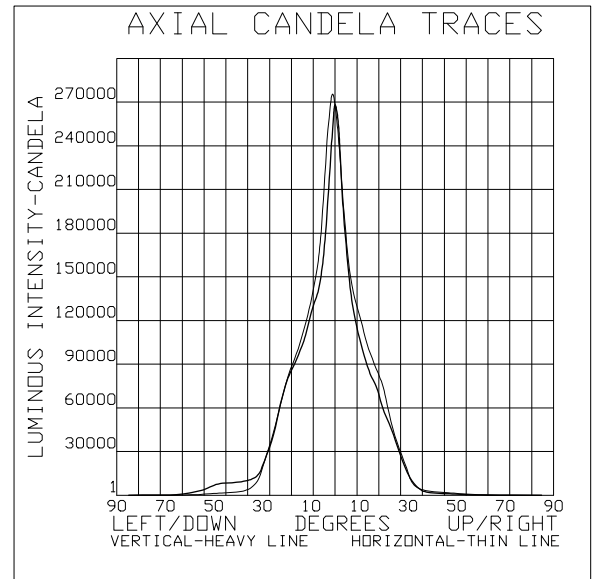
FRONT: AS SPUN NEMA 4
REAR: AS SPUN NEMA 4

MATERIAL: ALUMINUM
ALLOY: 3002
FINISH: SPECULAR

REFLECTANCE
TOTAL: 81.1%
SPECULAR: 80.7%

*** LAMP DATA ***
DESIGNATION: MVR1000/U
SOURCE: HALIDE ARC
LUMEN REFERENCE: 108000.
BULB: BT56, CLEAR
VOLTAGE: 252. volts
POWER: 1000. watts
LIGHT CENTER LENGTH: 9.5 INCHES
BASE: MOGUL SCREW
SOCKET SPACER: NONE

*** PERFORMANCE ***
TYPE: 4 H X 4 V
MAXIMUM CANDELA: 277556
LOCUS OF MAX. CD -0.9H X 0.3V
AVERAGE OF 10 HIGHEST: 232051
BEAM SPREAD (AT 50% MAX. CD)
DEG. HORIZONTAL: 17.2
DEG. VERTICAL: 14.1
BEAM LUMENS: 10593
BEAM EFFICIENCY: 9.8%
FIELD SPREAD (AT 10% MAX. CD)
DEG. HORIZONTAL: 56.0
DEG. VERTICAL: 55.2
FIELD LUMENS: 57930
FIELD EFFICIENCY: 53.6%
SPILL LIGHT LUMENS: 13537
TOTAL LUMENS: 71467
TOTAL EFFICIENCY: 66.2%
TEST DISTANCE: 60.0



SPECIAL CONDITIONS:
CURRENT PRODUCTION (7/2004) REFLECTOR WITH 12" DEEP BLACK VISOR