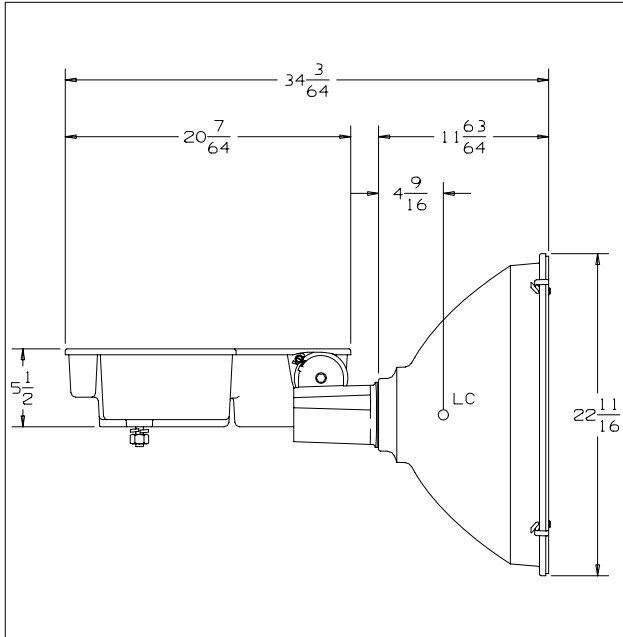




CAT NO.: SLS-1000Hx-x3x

TEST NUMBER: HP-10149

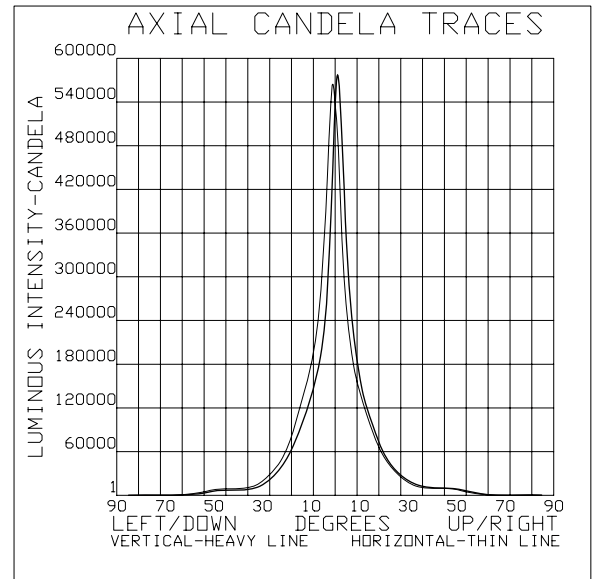


COVER GLASS: CLEAR, PLAIN, FLAT
REFLECTOR
SHAPE

FRONT: AS SPUN NEMA 3
REAR: AS SPUN NEMA 3
MATERIAL: ALUMINUM
ALLOY: 3002
FINISH: SPECULAR
REFLECTANCE
TOTAL: 82.2%
SPECULAR: 83.2%

*** LAMP DATA ***
DESIGNATION: MVR1000/U
SOURCE: HALIDE ARC
LUMEN REFERENCE: 108000.
BULB: BT56, CLEAR
VOLTAGE: 249. volts
POWER: 1000. watts
LIGHT CENTER LENGTH: 9.5 INCHES
BASE: MOGUL SCREW
SOCKET SPACER: NONE

*** PERFORMANCE ***
TYPE: 3 H X 3 V
MAXIMUM CANDELA: 594488
LOCUS OF MAX. CD -0.9H X 1.0V
AVERAGE OF 10 HIGHEST: 455323
BEAM SPREAD (AT 50% MAX. CD)
DEG. HORIZONTAL: 10.0
DEG. VERTICAL: 8.7
BEAM LUMENS: 7807
BEAM EFFICIENCY: 7.2%
FIELD SPREAD (AT 10% MAX. CD)
DEG. HORIZONTAL: 39.9
DEG. VERTICAL: 38.6
FIELD LUMENS: 49773
FIELD EFFICIENCY: 46.1%
SPILL LIGHT LUMENS: 34316
TOTAL LUMENS: 84090
TOTAL EFFICIENCY: 77.9%
TEST DISTANCE: 60.0



SPECIAL CONDITIONS:
CURRENT PRODUCTION (7/2004) REFLECTOR